



Stand alone mechanical loader for torque screwdrivers

7790

Product no. **58521090**
GTIN **4018754155569**
Model **7790**

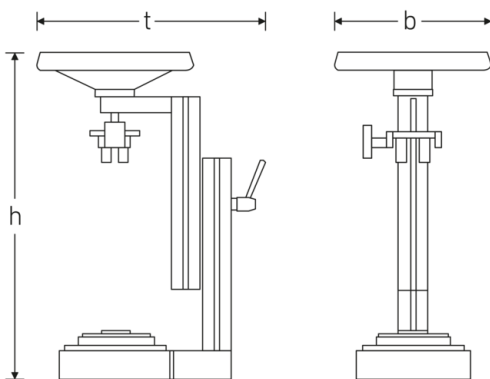
Label.

Stand alone mechanical loader for torque screwdrivers

Properties.

- can be attached to the mechanical calibration system No. 7792
- the torque screwdriver to be calibrated is inserted into the transducer and fixed in place using the universal centre clamps
- the force can be applied in a controlled manner using the handwheel
- transducer and torque screwdriver are not included

Technical drawing.



Technical attributes.

for transducers	7728-1S
Width mm (b)	250 mm
variable height	442-593 mm
Range N·m	up to 10 N·m
t	351 mm

Logistics data.

Product no.	58521090
GTIN	4018754155569
Weight (g)	8950 g
Volume (packaged, dm ³)	69.332375 dm ³
Packing standard	1

WEEE/ElektroG	nicht ear-pflichtig
Customs tariff no.	90319000
Country of origin AWR	GERMANY
Region of origin	Nordrhein-Westfalen
Depth mm (IFS)	588
Width mm (IFS)	390
Height mm (IFS)	265
Weight (gross, kg)	8,950
Weight PAP (kg)	1,200
Weight PVC (kg)	0,000
Length (packaged, mm)	595
Width (packaged, mm)	395
Height (packaging, mm)	295

GTIN.



STAHLWILLE Eduard Wille GmbH

Lindenallee 27 · 42349 Wuppertal · Germany · Phone: +49 202 4791-0

info@stahlwille.de · www.stahlwille.com

© STAHLWILLE Eduard Wille GmbH, Wuppertal