



Pullers, three-armed

11300

Product no. **71030004**
GTIN **4018754341993**
Model **11300/4**

Label. Puller 3armed 200x150mm

Properties.

- three-armed
- with sliding, constantly parallel extractor hooks
- for gears, ball bearings, pulleys and similar parts from a shaft or axle
- for ball bearings, ball bearing outer races and sockets out of drilled holes
- reversible arms for use as external and internal pullers
- nitrided spindle, no lubrication required, maintenance-free
- sturdy design, zinc plated

Benefits.

For quick and reliable removal of gears, ball bearings, fan belts and for extracting the outer rings of ball bearings and bushings from drilled holes.

The adjustable extractor hooks make for universal use as both an external or internal puller possible.

The nitrided surface of the spindle allows it to move easily so it does not require additional lubrication.

Even load distribution over 3 extractor hooks provides a secure hold and centred extraction.

Outstanding flexural strength thanks to legs with precisely manufactured profiles and smooth, milled guides.

Product highlights.



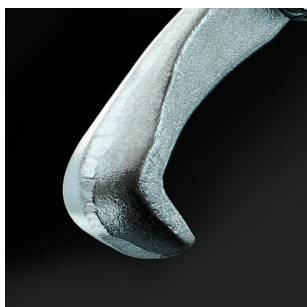
Flexible repositioning function.

The bearing puller has 2 or 3 sliding extractor hooks that are always parallel. These can be quickly and easily repositioned for flexible use as external and internal pullers.



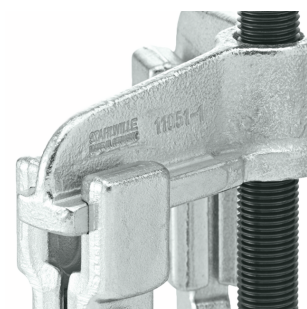
Reliable sliding properties.

The high-quality tempered and specially coated pressure spindle has particularly good sliding properties in the thread, is maintenance-free and does not require oiling.



Adapted access geometry.

Heavy-duty puller hooks made of oil-hardened Chrome Alloy Steel with special access geometry for tight spaces. Custom radii for shafts and axes.



Enormous bending stiffness.

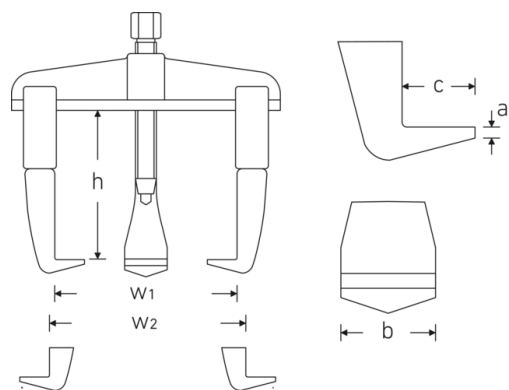
High bending rigidity thanks to cross members with precisely calculated profile ribs and milled, smooth guideways.

Protection against damage.

The centering tip is freely rotating - to protect the shafts from damage.



Technical drawing.



Technical attributes.

| | |
|-------------------------|-------|
| Size | 4 |
| External hex drive (mm) | 22 mm |
| Number of hooks | 3 |
| max. load | 5 t |

Logistics data.

| | |
|------------------------|---------------|
| Product no. | 71030004 |
| GTIN | 4018754341993 |
| Weight (g) | 4200 g |
| Volume (packaged, dm3) | 3.48 dm3 |

| | | | |
|--|-------------|-------------------------------|---------------------|
| Clamping depth (h) mm | 150 mm | Packing standard | 1 |
| Span max. external mm (w1) | 200 mm | WEEE/ElektroG | nicht ear-pflichtig |
| Span max. inner mm (w2) | 260 mm | Customs tariff no. | 82055980 |
| Span min. inner mm | 100 mm | Country of origin AWR | GERMANY |
| Spindle thread size | G 1/2 x 210 | Region of origin | Nordrhein-Westfalen |
| Hook base width mm (b) | 30 mm | Depth mm (IFS) | 290 |
| Hook foot depth mm (c) | 18 mm | Width mm (IFS) | 240 |
| Thickness of hook base tip mm (a) | 4 mm | Height mm (IFS) | 50 |
| | | Weight (gross, kg) | 4,124 |
| | | Weight PAP (kg) | 0,132 |
| | | Weight PVC (kg) | 0,000 |
| | | Length (packaged, mm) | 290 |
| | | Width (packaged, mm) | 240 |
| | | Height (packaging, mm) | 50 |

GTIN.



Spare part(s), spare part(s) for.



79281002
Puller spindle

Images.



STAHLWILLE Eduard Wille GmbH

Lindenallee 27 · 42349 Wuppertal · Germany · Phone: +49 202 4791-0

info@stahlwille.de · www.stahlwille.com

© STAHLWILLE Eduard Wille GmbH, Wuppertal