



Adjustable spanners, imperial

4026



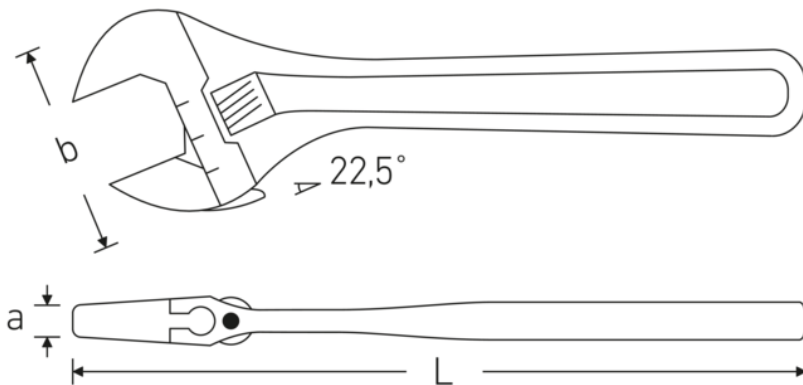
Product no. **40260106**
GTIN **4018754299577**
Model **4026 6**

Label. Adjustable spanner max. size 24mm L.161mm

Properties.

- counter-clockwise adjustment screw
- jaw angled 22.5°
- Chrome Alloy Steel, phosphated
- DIN 3117 / ISO 6787 Form B / ASME B 107.100

Technical drawing.



Technical attributes.

Size	6
Max. spanner size	24 mm
Length mm (L)	161 mm
Width mm (b)	50 mm
a	10,8 mm

Logistics data.

Product no.	40260106
GTIN	4018754299577
Weight (g)	155 g
Volume (packaged, dm ³)	0.41728 dm ³
Packing standard	5

DIN	DIN 3117 / ISO 6787 Form B	WEEE/ElektroG	nicht ear-pflichtig
Alloy	Chrome Vanadium Steel	Customs tariff no.	82041200
Surface	phosphated	Country of origin AWR	SPAIN
		Region of origin	Ausländischer Ursprung
		Depth mm (IFS)	160
		Width mm (IFS)	46
		Height mm (IFS)	11
		Weight (gross, kg)	0,650
		Weight PAP (kg)	0,000
		Weight PVC (kg)	0,009
		Length (packaged, mm)	163
		Width (packaged, mm)	64
		Height (packaging, mm)	40

GTIN.



STAHLWILLE Eduard Wille GmbH

Lindenallee 27 · 42349 Wuppertal · Germany · Phone: +49 202 4791-0

info@stahlwille.de · www.stahlwille.com

© STAHLWILLE Eduard Wille GmbH, Wuppertal