

## Adjustable spanners, imperial

**4025**



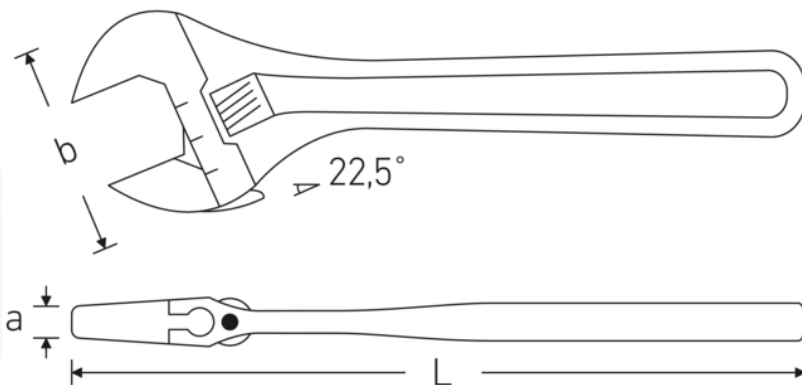
Product no. **40250118**  
GTIN **4018754299553**  
Model **4025 18**

**Label.** Adjustable spanner max. size 53mm L.462mm

- Properties.**
- clockwise adjustment screw
  - jaw angled 22.5°
  - Chrome Alloy Steel, chrome-plated
  - DIN 3117 / ISO 6787 Form B / ASME B107.100



## Technical drawing.



## Technical attributes.

Size	18
Max. spanner size	53 mm
Length mm (L)	462 mm
Width mm (b)	124 mm
a	30 mm
DIN	DIN 3117 / ISO 6787 Form B
Alloy	Chrome Vanadium Steel
Surface	chrome-plated

## Logistics data.

Product no.	40250118
GTIN	4018754299553
Weight (g)	2040 g
Volume (packaged, dm3)	1.729211 dm3
Packing standard	1
WEEE/ElektroG	nicht ear-pflichtig
Customs tariff no.	82041200
Country of origin AWR	SPAIN
Region of origin	Ausländischer Ursprung
Depth mm (IFS)	460
Width mm (IFS)	120
Height mm (IFS)	30
Weight (gross, kg)	1,950
Weight PAP (kg)	0,000
Weight PVC (kg)	0,020
Length (packaged, mm)	461
Width (packaged, mm)	121
Height (packaging, mm)	31

## GTIN.



**STAHLWILLE Eduard Wille GmbH**

Lindenallee 27 · 42349 Wuppertal · Germany · Phone: +49 202 4791-0

info@stahlwille.de · www.stahlwille.com

© STAHLWILLE Eduard Wille GmbH, Wuppertal