



Adjustable spanners, imperial

4026

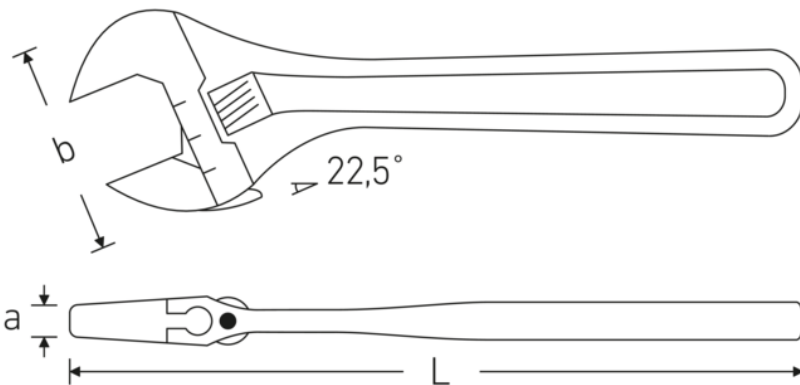


Product no. **40260110**
GTIN **4018754299591**
Model **4026 10**

Label. Adjustable spanner max. size 34mm L.259mm

- Properties.**
- counter-clockwise adjustment screw
 - jaw angled 22.5°
 - Chrome Alloy Steel, phosphated
 - DIN 3117 / ISO 6787 Form B / ASME B 107.100

Technical drawing.



Technical attributes.

Size	10
Max. spanner size	34 mm
Length mm (L)	259 mm
Width mm (b)	74 mm
a	15,8 mm

Logistics data.

Product no.	40260110
GTIN	4018754299591
Weight (g)	490 g
Volume (packaged, dm3)	1.30299 dm3
Packing standard	5

DIN	DIN 3117 / ISO 6787 Form B	WEEE/ElektroG	nicht ear-pflichtig
Alloy	Chrome Vanadium Steel	Customs tariff no.	82041200
Surface	phosphated	Country of origin AWR	SPAIN
		Region of origin	Ausländischer Ursprung
		Depth mm (IFS)	255
		Width mm (IFS)	68
		Height mm (IFS)	15
		Weight (gross, kg)	2,100
		Weight PAP (kg)	0,000
		Weight PVC (kg)	0,013
		Length (packaged, mm)	257
		Width (packaged, mm)	78
		Height (packaging, mm)	65

GTIN.



STAHLWILLE Eduard Wille GmbH

Lindenallee 27 · 42349 Wuppertal · Germany · Phone: +49 202 4791-0

info@stahlwille.de · www.stahlwille.com

© STAHLWILLE Eduard Wille GmbH, Wuppertal