



IMPACT-TORX® screwdriver sockets 1/2"

2307TX

Product no. 23070060
GTIN 4018754015269
Model 2307TX IMP T60 TORX®



Label. IMPACT screwdriver socket 1/2 " SizeT60mm

- Properties.**
- for recessed TORX® screws
 - 1/2" internal square drive
 - Chrome Alloy Steel, gunmetal finish

Product highlights.



PRODUCT IMAGE
IN PROGRESS

For powerful bolted joints.

The range offers a wide selection of sizes for particularly force-intensive bolted joints. The sockets are optimal for powerful work on special tools for brakes and wheels, brake systems, body parts, engine covers, axle connections and machine components.



PRODUCT IMAGE
IN PROGRESS

High fitting accuracy.

The high fitting accuracy due to tight tolerances guarantees optimum, backlash-free transmission of forces to the socket.

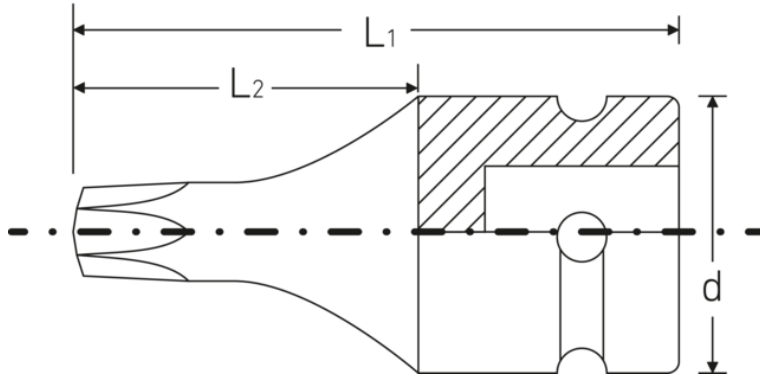


PRODUCT IMAGE
IN PROGRESS

Robust and durable.

Our screwdriver and socket wrench sockets made of high-quality chrome alloy steel offer outstanding stability and resistance for continuous use. They are phosphated for additional corrosion resistance and long-lasting protection.

Technical drawing.



Technical attributes.

Size drive profile	T60
TORX® drive profile (mm)	13,2 mm
Square drive inner (inch)	1/2 "
L1	40 mm
L2	22 mm
Drive profile	TORX®
d	25 mm

Logistics data.

Product no.	23070060
GTIN	4018754015269
Weight (g)	66 g
Volume (packaged, dm3)	0.12285 dm3
Packing standard	5
WEEE/ElektroG	nicht ear-pflichtig
Customs tariff no.	82042000
Country of origin AWR	GERMANY
Region of origin	Nordrhein-Westfalen
Depth mm (IFS)	40
Width mm (IFS)	25
Height mm (IFS)	25
Weight (gross, kg)	0,336
Weight PAP (kg)	0,000
Weight PVC (kg)	0,005
Length (packaged, mm)	105
Width (packaged, mm)	45
Height (packaging, mm)	26

GTIN.



Accessories (for).



39011940
IMPACT rubber ring

STAHLWILLE Eduard Wille GmbH

Lindenallee 27 · 42349 Wuppertal · Germany · Phone: +49 202 4791-0

info@stahlwille.de · www.stahlwille.com

© STAHLWILLE Eduard Wille GmbH, Wuppertal