



## Tool trolleys 95 PRO

### 95/8 PRO

Product no.	81200166
GTIN	4018754334698
Model	TTS 95/8 A PRO



#### Label.

Tool trolley 95/8 PRO 8 Drawer 496 x 827 x 1020 mm anthracite, RAL 7016; black, RAL 9005

#### Properties.

- three-stage safety concept:
  - central locking with a lateral cylinder lock and hinged key
  - individual locks prevent inadvertent opening during transit
  - tilt protection - multiple drawers cannot be pulled out at the same time
- stainless steel with reinforced handle
- all-round collision protection with impact damping
- tightly welded, resilient work and storage surface; end panel made of stainless steel
- oil and acid-resistant ball-bearing smooth-running wheels (Ø 125 mm) with thread guards to protect the bearings from dirt and threads, with 2 locking brakes
- paper roll holder and spray can holder included
- 8 easily removable drawers, black, full-extension runners with bearing cage guide
- two-sided perforated panel for hooks no. 8031-8041, e.g., for larger tools
- can be fitted with STAHLWILLE standard and TCS inlays



## Product highlights.



### Takes on anything.

High-quality materials such as the tightly welded stainless steel tray with a scratch-resistant honeycomb structure ensure the durability typical of STAHLWILLE and prevent liquids from penetrating into the interior of the trolley. The work surface of 827 x 496 mm is particularly suitable for working on large components. Thanks to its robust construction, the 95 PRO has a static load capacity of 750 kg. Thanks to reinforcements, the drawers can be loaded with 30 kg and the bottom drawer with up to 45 kg.



### Secure down to the last detail.

The drawers are centrally locked using a cylinder lock with a folding key. The single-drawer lock prevents unintentional opening while driving. In addition, only one drawer can always be opened at a time, ensuring reliable tipping protection.



### Full configuration as standard.

Whether paper roll and spray can holders, all-round impact protection with shock absorption, perforations on both sides for attaching accessories, locking brakes or oil and acid-resistant smooth-running castors (Ø 125 mm) with thread protection. Our tool trolley comes with many features as standard.



### Optimally organized.

All drawers can be pulled out 100%. In combination with the STAHLWILLE standard and TCS inserts or the variable drawer dividers, this ensures optimum overview and convenient tool removal at all times.

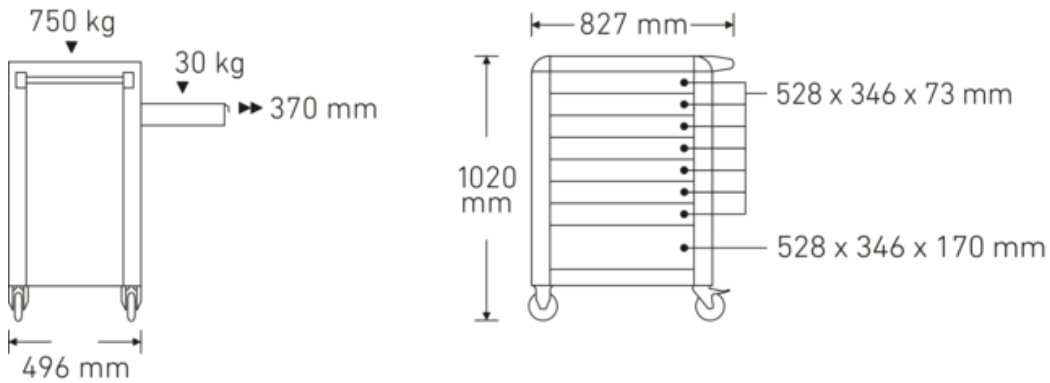
## Technologies and features.



### Tool Control System

The intelligent modular inlay system protects and organises the tools in tool boxes, tool trolleys and workbenches. Two-colour foam inlays make checking the completeness of the tools quick and easy.

## Technical drawing.



## Technical attributes.

<b>Model No.</b>	95/8 A PRO
<b>Length mm (L)</b>	496 mm
<b>Width mm (b)</b>	827 mm
<b>Height mm (h)</b>	1020 mm
<b>Number of drawers</b>	8
<b>Load capacity</b>	750 kg
<b>Internal drawer dimensions mm</b>	346 x 528 x 73 mm (7x) 346 x 528 x 170 mm (1x)
<b>Drawer load capacity</b>	30 kg 45 kg
<b>Colour</b>	anthracite, RAL 7016; black, RAL 9005
<b>Colour abbreviation</b>	RAL 7016; RAL 9005

## Logistics data.

<b>Product no.</b>	81200166
<b>GTIN</b>	4018754334698
<b>Weight (g)</b>	71500 g
<b>Volume (packaged, dm3)</b>	461.28808 dm3
<b>Packing standard</b>	1
<b>WEEE/ElektroG</b>	nicht ear-pflichtig
<b>Customs tariff no.</b>	94032080
<b>Country of origin AWR</b>	CHINA
<b>Region of origin</b>	Ausländischer Ursprung
<b>Depth mm (IFS)</b>	720
<b>Width mm (IFS)</b>	496
<b>Height mm (IFS)</b>	863
<b>Weight (gross, kg)</b>	79,000
<b>Weight PAP (kg)</b>	7,500
<b>Weight PVC (kg)</b>	0,000
<b>Length (packaged, mm)</b>	836
<b>Width (packaged, mm)</b>	587
<b>Height (packaging, mm)</b>	940

## GTIN.



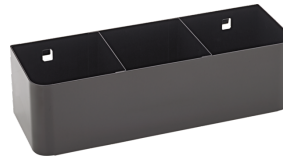
## Accessories (for).



90432802  
Protective cover



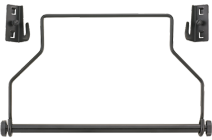
80310090  
Single hook



90432727  
Spray can holder



80320060  
Twin hook



81483004  
Paper roll holder



80340040  
Twin hook



89010040  
Cable holder



80340050  
Twin hook



83812070  
Empty tray for small components



80350017  
Rectangular lug



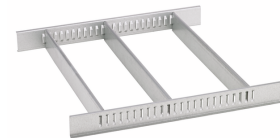
80350020  
Rectangular lug



81484001  
Drawer divider



80360012  
Spring clip



81484002  
Drawer divider



80360018  
Spring clip



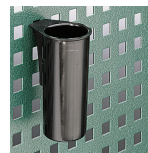
81485006  
Spring clip



80360024  
Spring clip



81485012  
Spring clip



80380030  
Container



80310030  
Single hook



80310060  
Single hook



80320030  
Twin hook



89011053  
Waste bin

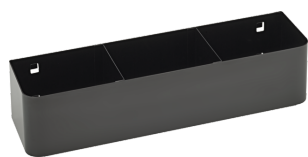


89010042  
Laptop holder adaptor

## Spare part(s), spare part(s) for.



90432718  
Lock, mechanical



90432719  
Spray can holder



89480003  
Wheel set

81490001  
Wheel set

## Images.



**STAHLWILLE Eduard Wille GmbH**

Lindenallee 27 · 42349 Wuppertal · Germany · Phone: +49 202 4791-0

info@stahlwille.de · www.stahlwille.com

© STAHLWILLE Eduard Wille GmbH, Wuppertal