

## Torque wrenches Standard MANOSKOP®

### 721 Quick



Product no.	50204020
GTIN	4018754268931
Model	721/20 QUICK



#### Label.

Torque wrench Standard MANOSKOP® 721 Quick 40-200N·m 1/2" L. 483mm

#### Properties.

- clicking type with dual stop signal
- no reset to "0" required
- the measuring element is only under load when a force is applied.
- Quick adjustment thanks to easy-to-operate locking lever in handle
- non-slip adjuster with thumb recess for quick torque adjustment
- dual scale N·m/ft·lb
- clicking mechanism insensitive to continuous loads and counter-loads (up to the max. measurement range of the torque wrench)
- optimal calibration with perfectControl® calibration systems No. 7794 or calibration systems No. 7706, 7791
- easy adjustment without disassembly via 2 external adjustment screws
- for controlled clockwise tightening
- with 2-component handle
- calibration certificate in accordance with DIN EN ISO 6789-2:2017
- **accuracy ± 4%**

#### Benefits.

Made in Germany - STAHLWILLE setting torque wrench, length 483 mm, with calibration certificate (DIN EN ISO 6789-2:2017), 50204020.

Lightning-fast and precise torque adjustment.

Patented, low-wear release system with flexible rod.

Continued loading after release or loading in the opposite direction will not damage the torque wrench.

## Product highlights.



### Rapid adjustment.

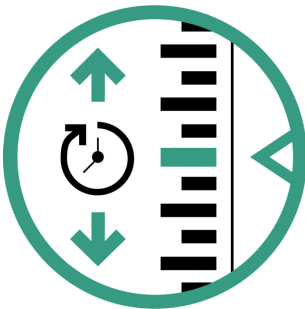
Easy and quick adjustment of the torque is carried out by an easy-to-operate clamping lever in the handle. The scale can be moved quickly and safely with an ergonomically shaped, non-slip adjustment element with thumb recess.

### Adjustment does not require disassembly.

Quick adjustment from outside, no disassembly of the torque wrench required, with 2 adjustment points for the maximum & minimum values.

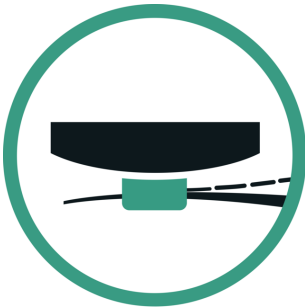


## Technologies and features.



### QuickSelect

Lightning-fast target value setting: Unlock the adjustment knob, set the value, and lock the knob again.



### Low-wear bending beam system

Our torque wrench is equipped with a low-wear release system with a bending beam. Unlike conventional torque wrenches with coiled springs, the bending beam is not subjected to any load until the tool is in operation, which means that resetting to '0' is not necessary after use.



### 2-component handle

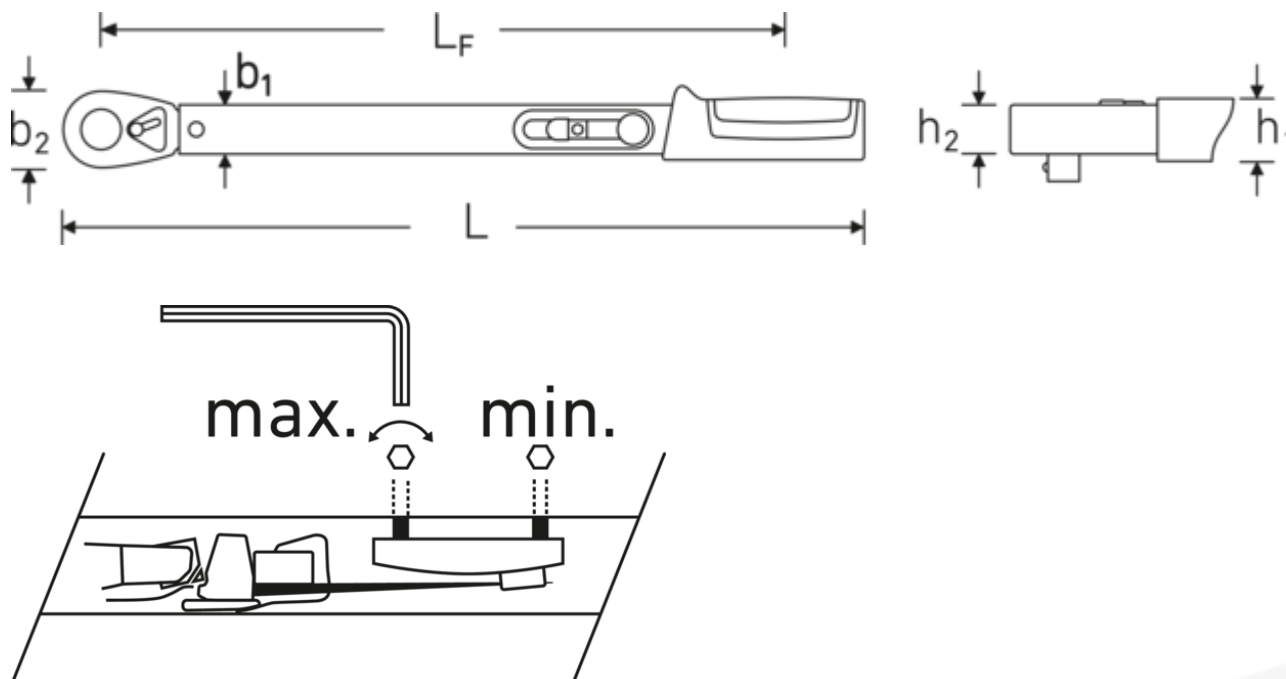
Our 2-component handle is non-slip and ergonomically designed. It is resistant to the most common oils, greases, fuels, brake fluids, and Skydrol. The arrow markings on the handle indicate the direction of operation.

# DIN EN ISO 6789-2

## DIN EN ISO 6789-2

Our torque wrenches and torque screwdrivers are professionally calibrated in accordance with DIN EN ISO 6789-2 and delivered with a corresponding calibration certificate. We also calibrate angle-controlled torque wrenches in accordance with VDI 2648-2. This ensures the accuracy and traceability of our tools.

### Technical drawing.



### Technical attributes.

Size	20
Anzeigeabweichung	$\pm 4\%$
Measuring range N·m	40-200 N·m
Measuring range ft·lb	30-145 ft·lb
MA N·m	40 N·m
Nominal value N·m	200 N·m
Scale division N·m	5 N·m
Scale division ft·lb	5 ft·lb
External square drive (inch)	1/2
Length mm (L)	483 mm
b1	28 mm
b2	41 mm
Height mm (h1)	23 mm
Height mm (h2)	18 mm

### Logistics data.

Product no.	50204020
GTIN	4018754268931
Weight (g)	1349 g
Volume (packaged, dm <sup>3</sup> )	1.32651 dm <sup>3</sup>
Packing standard	1
WEEE/ElektroG	nicht ear-pflichtig
Customs tariff no.	82041100
Country of origin AWR	GERMANY
Region of origin	Nordrhein-Westfalen
Depth mm (IFS)	490
Width mm (IFS)	45
Height mm (IFS)	45
Weight (gross, kg)	1,475
Weight PAP (kg)	0,000

Number of teeth	36	Weight PVC (kg)	0,110
DIN	DIN EN ISO 6789-2:2017	Length (packaged, mm)	510
LF	418 mm	Width (packaged, mm)	51
		Height (packaging, mm)	51

## GTIN.



## Accessories (for).



81370002  
Plastic box, empty

## Spare part(s), spare part(s) for.



19040000  
Spare parts set for  
ratchet

## Images.



**STAHLWILLE Eduard Wille GmbH**

Lindenallee 27 · 42349 Wuppertal · Germany · Phone: +49 202 4791-0

info@stahlwille.de · www.stahlwille.com

© STAHLWILLE Eduard Wille GmbH, Wuppertal