



Tool trolley 93

93/6

Product no. **81200154**
GTIN **4018754327508**
Model **TTS 93/6 A**



Label.

Tool trolley 93/6 6 Drawer 481 x 877 x 1000 mm anthracite, RAL 7016; black, RAL 9005

Properties.

- **two-stage safety concept:**
 - central locking through cylinder lock with hinged key
 - tilt protection - makes it impossible to pull out several drawers at the same time
- 2 handles
- all-round ram protection
- durable plastic tray made of ABS with compartments for small parts
- oil and acid-resistant wheels (Ø 125 mm) with bearings protected from the ingress of dirt and fibres, and 2 parking brakes
- two-sided perforated panel for hooks no. 8031- 8041, e.g., for larger tools
- can be fitted with STAHLWILLE standard and TCS inlays
- 6 easily removable drawers, black, full-extension runners with bearing cage guide
- with paper roll holder

Benefits.

6 easy-to-remove drawers with practical full-extension runners, the ball cage guide ensures smooth running.

Oil and acid-resistant smooth-running castors (Ø 125 mm) with thread protection protect the bearings from dirt and threads; with 2 locking brakes.

High static load capacity of up to 500 kg; the bottom drawer has a load capacity of up to 45 kg.

2 handles, all-round impact protection and a hard-wearing plastic shelf made of ABS with practical compartments for small parts.

Central locking by cylinder lock with folding key; the anti-tilt device prevents several drawers from being pulled out at the same time.



Product highlights.



PRODUCT IMAGE
IN PROGRESS

Takes on anything.

The 877 x 481 mm work surface is particularly suitable for working on large components. The integrated compartments for small parts ensure a tidy and clearly arranged storage area. Thanks to its robust construction, the TTS 93 has a static load capacity of 500 kg. Thanks to reinforcements, the drawers can be loaded with 30 kg and the bottom drawer even with 45 kg.



Maximum safety.

The central locking system with side cylinder lock and folding key protects the tool from unauthorised access. The tilt protection prevents multiple drawers from being pulled out at the same time to avoid the risk of injury or damage.



Order made easy.

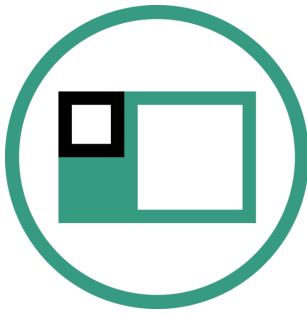
The integrated compartments for small parts not only ensure a tidy and clear storage area, but also increase their functionality and create an organised environment where everything remains within easy reach.



Optimally organised.

All drawers can be pulled out 100%. In combination with the STAHLWILLE standard and TCS inlays or the variable drawer dividers, you are always assured of a clear overview and convenient tool removal.

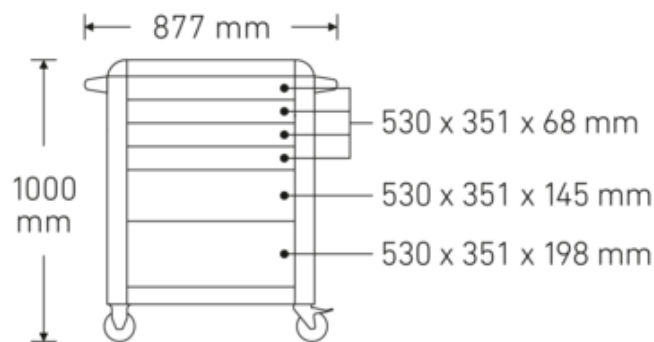
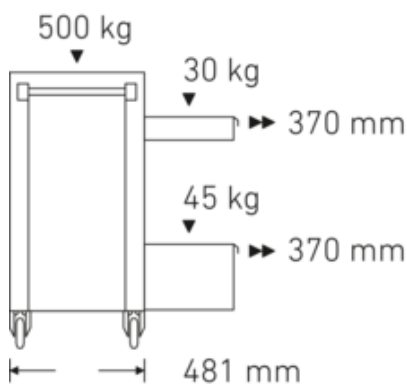
Technologies and features.



Modular Inlay System

This flexible solution for tool storage makes it possible to customise your tool trolleys and workbenches with 1/6, 1/3, 2/3 or 3/3 foam inlays.

Technical drawing.



Technical attributes.

Model No.	93/6 A
Length mm (L)	481 mm
Width mm (b)	877 mm
Height mm (h)	1000 mm
Number of drawers	6
Load capacity	500 kg
Internal drawer dimensions mm	351 x 530 x 68 mm (4x) 351 x 530 x 145 mm (1x) 351 x 530 x 198 mm (1x)
Drawer load capacity	30 kg 30 kg 45 kg
Colour	anthracite, RAL 7016; black, RAL 9005
Colour abbreviation	RAL 7016; RAL 9005

Logistics data.

Product no.	81200154
GTIN	4018754327508
Weight (g)	57000 g
Volume (packaged, dm ³)	421.9215 dm ³
Packing standard	1
WEEE/ElektroG	nicht ear-pflichtig
Customs tariff no.	94032080
Country of origin AWR	CHINA
Region of origin	Ausländischer Ursprung
Depth mm (IFS)	750
Width mm (IFS)	480
Height mm (IFS)	840
Weight (gross, kg)	64,000
Weight PAP (kg)	3,000
Weight PVC (kg)	0,000
Length (packaged, mm)	825
Width (packaged, mm)	562

Height (packaging, mm)

910

GTIN.



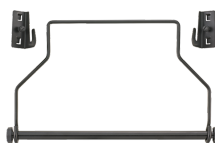
Accessories (for).



90432727
Spray can holder



80320060
Twin hook



81483004
Paper roll holder



80340040
Twin hook



89010040
Cable holder



80340050
Twin hook



83812070
Empty tray for small
components



80350017
Rectangular lug



81484001
Drawer divider



80350020
Rectangular lug



80360012
Spring clip



81484002
Drawer divider



80360018
Spring clip



81485006
Spring clip



80360024
Spring clip



81485012
Spring clip



80380030
Container



80310030
Single hook



80310060
Single hook



80320030
Twin hook



89010042
Laptop holder adaptor



90432802
Protective cover



80310090
Single hook

Spare part(s), spare part(s) for.



90432658
Handle



90432644
Handle



89480003
Wheel set

81490001
Wheel set



81490005
Wheel set

Images.





STAHLWILLE Eduard Wille GmbH

Lindenallee 27 · 42349 Wuppertal · Germany · Phone: +49 202 4791-0

info@stahlwille.de · www.stahlwille.com

© STAHLWILLE Eduard Wille GmbH, Wuppertal