



Open-ended striking spanners

4204



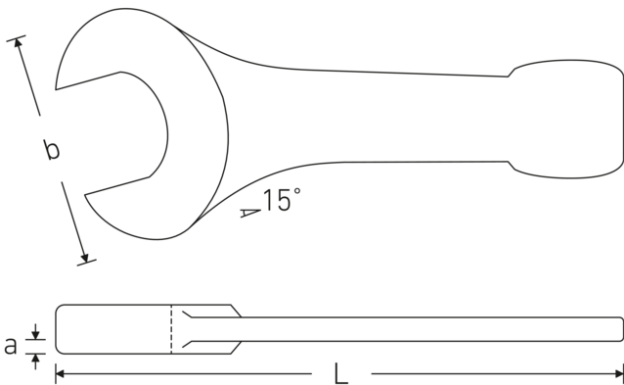
Product no. **42040080**
GTIN **4018754023776**
Model **4204 80**

Label. Open-ended striking spanner Size 80mm L.408mm

Properties.

- special steel, steel grey
- DIN 133

Technical drawing.



Technical attributes.

Size 1 [mm]	80 mm
Length mm (L)	408 mm
Width mm (b)	174 mm
a	34 mm
DIN	DIN 133
Alloy	Special steel
Surface	steel grey

Logistics data.

Product no.	42040080
GTIN	4018754023776
Weight (g)	6059 g
Volume (packaged, dm ³)	2.51125 dm ³
Packing standard	1
WEEE/ElektroG	nicht ear-pflichtig
Customs tariff no.	82041100

Country of origin AWR	GERMANY
Region of origin	Nordrhein-Westfalen
Depth mm (IFS)	410
Width mm (IFS)	175
Height mm (IFS)	35
Weight (gross, kg)	6,059
Weight PAP (kg)	0,000
Weight PVC (kg)	0,000
Length (packaged, mm)	410
Width (packaged, mm)	175
Height (packaging, mm)	35

GTIN.



STAHLWILLE Eduard Wille GmbH

Lindenallee 27 · 42349 Wuppertal · Germany · Phone: +49 202 4791-0

info@stahlwille.de · www.stahlwille.com

© STAHLWILLE Eduard Wille GmbH, Wuppertal