



## Adjustable spanners, imperial

**4026**

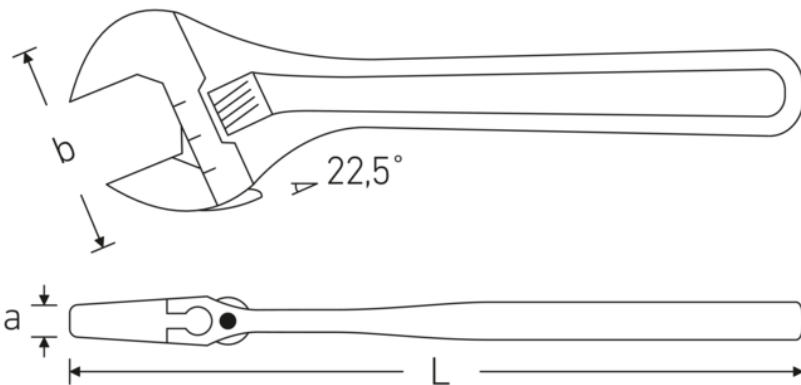


Product no. **40260118**  
GTIN **4018754299621**  
Model **4026 18**

**Label.** Adjustable spanner max. size 53mm L.462mm

- Properties.**
- counter-clockwise adjustment screw
  - jaw angled 22.5°
  - Chrome Alloy Steel, phosphated
  - DIN 3117 / ISO 6787 Form B / ASME B 107.100

### Technical drawing.



### Technical attributes.

Size	18
Max. spanner size	53 mm
Length mm (L)	462 mm
Width mm (b)	124 mm
a	30 mm

### Logistics data.

Product no.	40260118
GTIN	4018754299621
Weight (g)	2040 g
Volume (packaged, dm <sup>3</sup> )	1.729211 dm <sup>3</sup>
Packing standard	1

<b>DIN</b>	DIN 3117 / ISO 6787 Form B	<b>WEEE/ElektroG</b>	nicht ear-pflichtig
<b>Alloy</b>	Chrome Vanadium Steel	<b>Customs tariff no.</b>	82041200
<b>Surface</b>	phosphated	<b>Country of origin AWR</b>	SPAIN
		<b>Region of origin</b>	Ausländischer Ursprung
		<b>Depth mm (IFS)</b>	460
		<b>Width mm (IFS)</b>	120
		<b>Height mm (IFS)</b>	30
		<b>Weight (gross, kg)</b>	1,975
		<b>Weight PAP (kg)</b>	0,000
		<b>Weight PVC (kg)</b>	0,020
		<b>Length (packaged, mm)</b>	461
		<b>Width (packaged, mm)</b>	121
		<b>Height (packaging, mm)</b>	31

## GTIN.



**STAHLWILLE Eduard Wille GmbH**

Lindenallee 27 · 42349 Wuppertal · Germany · Phone: +49 202 4791-0

info@stahlwille.de · www.stahlwille.com

© STAHLWILLE Eduard Wille GmbH, Wuppertal