

Torque wrenches Service MANOSKOP® (ft·lb/in·lb)

730Na



Product no.	50581020
GTIN	4018754139590
Model	730NA/20



Label.

Torque wrench Service MANOSKOP® 730Na 350-1800in lb 14 x 18 mm L. 467mm

Properties.

- clicking type with dual stop signal
- no reset to "0" required
- the measuring element is only under load when a force is applied
- mount for interchangeable insert tools
- with QuickRelease safety lock
- fast, precise adjustment with QuickSelect quick adjustment
- dual scale ft·lb/in·lb
- clicking mechanism insensitive to continuous loads and counter-loads (up to the max. measurement range of the torque wrench)
- counter-clockwise tightening by turning the insert tools over
- optimal calibration with perfectControl® calibration systems No. 7794 or calibration systems No. 7706, 7791
- easy adjustment without disassembly via 2 external adjustment screws
- with 2-component handle
- calibration certificate in accordance with DIN EN ISO 6789-2:2017
- **accuracy ± 3% (size a/2: 4%)**

Product highlights.



PRODUCT IMAGE
IN PROGRESS

Adjustment does not require disassembly.

Quick adjustment from outside, no disassembly of the torque wrench required, with 2 adjustment points for the maximum & minimum values.



PRODUCT IMAGE
IN PROGRESS

Reliable handling.

The haptic feedback and a clearly audible 'click' as a dual stop signal from the mechanical trigger reliably indicate that the target value has been reached.



PRODUCT IMAGE
IN PROGRESS

Clear fine adjustment.

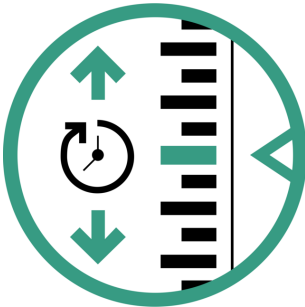
The user-friendly and easy-to-read dual scale in N·m/ft·lb with main and fine scales allows for precise and easy torque adjustment for reliable and accurate application.

Technologies and features.



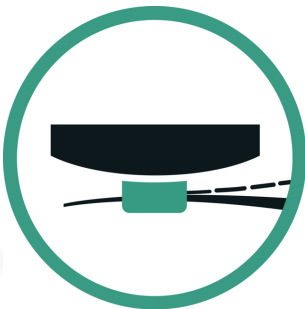
QuickRelease

The QuickRelease safety lock prevents unintentional loss of insert tools. These click securely into place, and are only released again at the push of a button for a quick tool change. In transducers: The QuickRelease safety lock helps you to quickly mount and change transducers. The transducers lock into the calibration system and only unlock again at the push of the buttons.



QuickSelect

Lightning-fast target value setting: Unlock the adjustment knob, set the value, and lock the knob again.



Low-wear bending beam system

Our torque wrench is equipped with a low-wear release system with a bending beam. Unlike conventional torque wrenches with coiled springs, the bending beam is not subjected to any load until the tool is in operation, which means that resetting to '0' is not necessary after use.



2-component handle

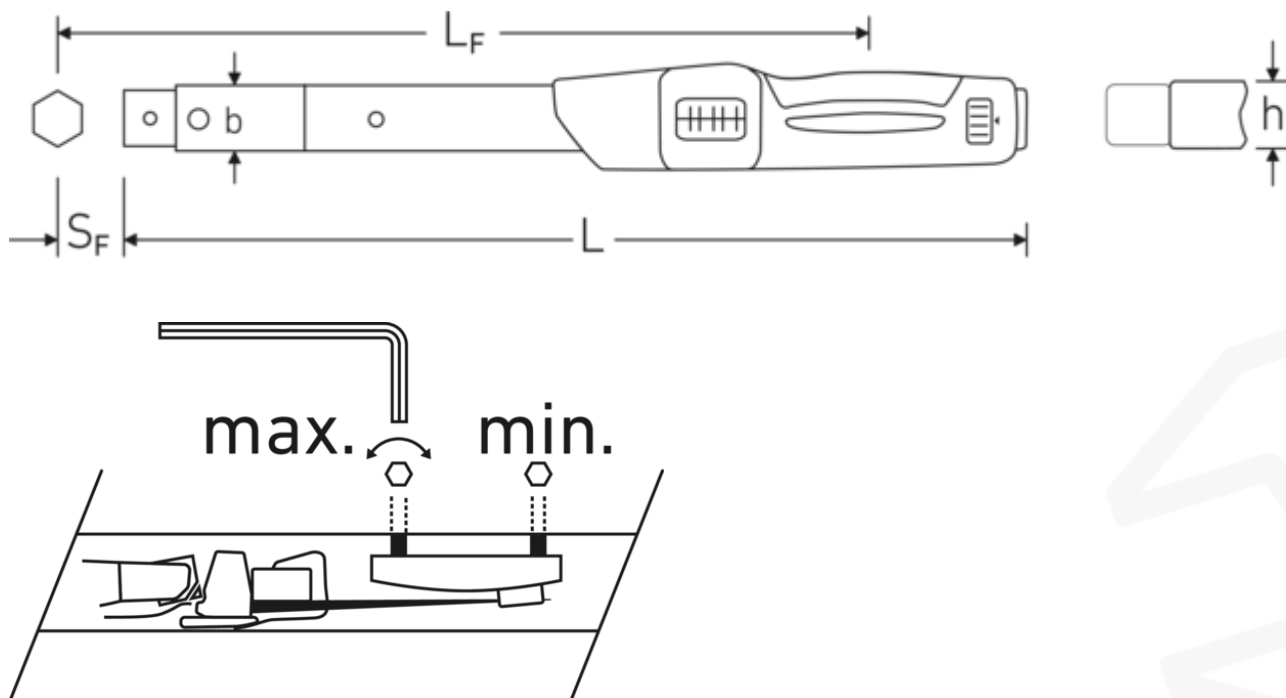
Our 2-component handle is non-slip and ergonomically designed. It is resistant to the most common oils, greases, fuels, brake fluids, and Skydrol. The arrow markings on the handle indicate the direction of operation.



DIN EN ISO 6789-2

Our torque wrenches and torque screwdrivers are professionally calibrated in accordance with DIN EN ISO 6789-2 and delivered with a corresponding calibration certificate. We also calibrate angle-controlled torque wrenches in accordance with VDI 2648-2. This ensures the accuracy and traceability of our tools.

Technical drawing.



Technical attributes.

Size	a/20
Anzeigeabweichung	± 3 % (Gr. a/2: 4 %)
Tool holder size [internal square]	14 x 18 mm
Measuring range ft·lb	30-150 ft·lb
Measuring range in·lb	350-1800 in·lb
Scale division ft·lb	5 ft·lb

Logistics data.

Product no.	50581020
GTIN	4018754139590
Weight (g)	1264 g
Volume (packaged, dm ³)	1.33848 dm ³
Packing standard	1
WEEE/ElektroG	nicht ear-pflichtig
Customs tariff no.	82041100

Scale division in-lb	100 in-lb	Country of origin AWR	GERMANY
Fine scale division	10 in-lb	Region of origin	Nordrhein-Westfalen
Length mm (L)	467 mm	Depth mm (IFS)	495
Width mm (b)	28 mm	Width mm (IFS)	52
Height mm (h)	23 mm	Height mm (IFS)	52
DIN	DIN EN ISO 6789-2:2017	Weight (gross, kg)	1,540
LF	424,5 mm	Weight PAP (kg)	0,000
SF	25 mm	Weight PVC (kg)	0,110
		Length (packaged, mm)	495
		Width (packaged, mm)	52
		Height (packaging, mm)	52

GTIN.



STAHLWILLE Eduard Wille GmbH

Lindenallee 27 · 42349 Wuppertal · Germany · Phone: +49 202 4791-0

info@stahlwille.de · www.stahlwille.com

© STAHLWILLE Eduard Wille GmbH, Wuppertal