



## Slotted screwdrivers DRALL®

**4724**



Product no. **47241045**  
GTIN **4018754030262**  
Model **DRALL® 4724 3,5**



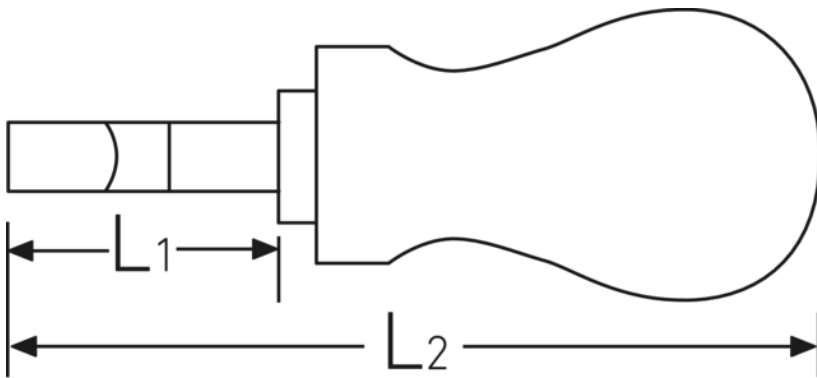
### Label.

Slotted screwdriver DRALL® 0,6mm x 3.5mm L.25mm

### Properties.

- short version
- for slotted screws
- black tip
- Chrome Alloy Steel, matt chrome-plated
- DIN ISO 2380-1 / DIN ISO 2380-2 / DIN 5264

## Technical drawing.



## Technical attributes.

Size	1
L1	25 mm
L2	80 mm
Width mm (b)	3,5 mm

## Logistics data.

Product no.	47241045
GTIN	4018754030262
Weight (g)	34 g
Volume (packaged, dm <sup>3</sup> )	1.3981 dm <sup>3</sup>

<b>a</b>	0,6 mm	<b>Packing standard</b>	10
<b>Drive profile</b>	slotted	<b>WEEE/ElektroG</b>	nicht ear-pflichtig
<b>DIN</b>	DIN ISO 2380-1, -2, DIN 5264, ISO 2380-1, -2	<b>Customs tariff no.</b>	82054000
		<b>Country of origin AWR</b>	GERMANY
		<b>Region of origin</b>	Nordrhein-Westfalen
		<b>Depth mm (IFS)</b>	85
		<b>Width mm (IFS)</b>	32
		<b>Height mm (IFS)</b>	28
		<b>Weight (gross, kg)</b>	0,350
		<b>Weight PAP (kg)</b>	0,082
		<b>Weight PVC (kg)</b>	0,000
		<b>Length (packaged, mm)</b>	205
		<b>Width (packaged, mm)</b>	110
		<b>Height (packaging, mm)</b>	62

## GTIN.



**STAHLWILLE Eduard Wille GmbH**

Lindenallee 27 · 42349 Wuppertal · Germany · Phone: +49 202 4791-0

info@stahlwille.de · www.stahlwille.com

© STAHLWILLE Eduard Wille GmbH, Wuppertal