



IMPACT sockets 1/2"

50D IMP

Product no.	23011036
GTIN	4018754251568
Model	50D IMP 36



Label. IMPACT socket 1/2 " 36mm L.50mm

- Properties.**
- with bi-hex
 - 1/2" internal square drive
 - Chrome Alloy Steel, gunmetal finish

Product highlights.



Optimised functionality.

All IMPACT sockets have a through cross hole for the connecting pin and a deep groove for the rubber locking ring. The locking pin is not stressed during use.

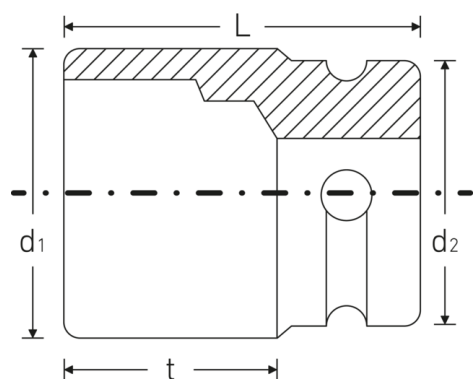
High fitting accuracy.

The high fitting accuracy due to tight tolerances guarantees optimum, backlash-free transmission of forces to the socket.



PRODUCT IMAGE
IN PROGRESS

Technical drawing.



Technical attributes.

Size [mm]	36 mm
Square drive inner (inch)	1/2 "
Length mm (L)	50 mm
Drive profile	bi-hex
d1	49 mm
d2	30 mm

Logistics data.

Product no.	23011036
GTIN	4018754251568
Weight (g)	313 g
Volume (packaged, dm3)	0.125 dm3
Packing standard	1
WEEE/ElektroG	nicht ear-pflichtig
Customs tariff no.	82042000
Country of origin AWR	TAIWAN
Region of origin	Ausländischer Ursprung
Depth mm (IFS)	50
Width mm (IFS)	50
Height mm (IFS)	50
Weight (gross, kg)	0,313
Weight PAP (kg)	0,000
Weight PVC (kg)	0,002
Length (packaged, mm)	50
Width (packaged, mm)	50
Height (packaging, mm)	50

GTIN.





STAHLWILLE Eduard Wille GmbH

Lindenallee 27 · 42349 Wuppertal · Germany · Phone: +49 202 4791-0

info@stahlwille.de · www.stahlwille.com

© STAHLWILLE Eduard Wille GmbH, Wuppertal