



Blank end insert tool

737/40

Product no. **58270040**
GTIN **4018754034604**
Model **737/40**

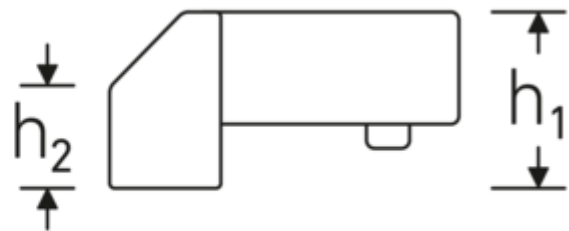
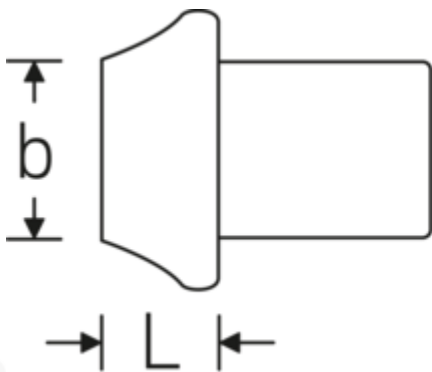
Label.

Blank end insert tool Dimensions 11 x 25 Tool holder 14 x 18 L.12mm

Properties.

- for welding on custom-made tools
- for torque wrenches with interchangeable insert system
- gunmetal finish
- to avoid damage due to high temperatures, the pin and spring must not be fitted before the tool has been welded
- instructions are provided
- material: 1.2208 - 31CRV3

Technical drawing.



Technical attributes.

Tool holder size [internal square]	14 x 18 mm
Length mm (L)	12 mm

Logistics data.

Product no.	58270040
GTIN	4018754034604
Weight (g)	98 g

Height mm (h1)	21,5 mm	Volume (packaged, dm3)	0.059568 dm3
Welding dimensions h2xw in mm	11 x 25	Packing standard	1
		WEEE/ElektroG	nicht ear-pflichtig
		Customs tariff no.	82041100
		Country of origin AWR	GERMANY
		Region of origin	Nordrhein-Westfalen
		Depth mm (IFS)	72
		Width mm (IFS)	33
		Height mm (IFS)	23
		Weight (gross, kg)	0,100
		Weight PAP (kg)	0,000
		Weight PVC (kg)	0,003
		Length (packaged, mm)	73
		Width (packaged, mm)	34
		Height (packaging, mm)	24

GTIN.



STAHLWILLE Eduard Wille GmbH

Lindenallee 27 · 42349 Wuppertal · Germany · Phone: +49 202 4791-0

info@stahlwille.de · www.stahlwille.com

© STAHLWILLE Eduard Wille GmbH, Wuppertal