



Adjustable spanners, imperial

4026

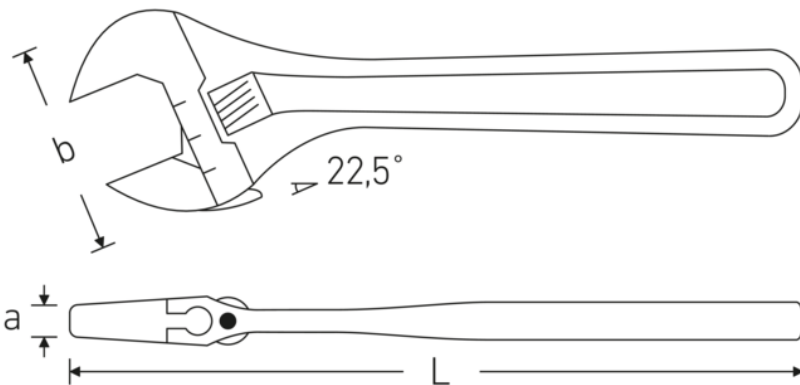


Product no. **40260115**
GTIN **4018754299614**
Model **4026 15**

Label. Adjustable spanner max. size 44mm L.386mm

- Properties.**
- counter-clockwise adjustment screw
 - jaw angled 22.5°
 - Chrome Alloy Steel, phosphated
 - DIN 3117 / ISO 6787 Form B / ASME B 107.100

Technical drawing.



Technical attributes.

Size	15
Max. spanner size	44 mm
Length mm (L)	386 mm
Width mm (b)	106 mm
a	25 mm

Logistics data.

Product no.	40260115
GTIN	4018754299614
Weight (g)	1320 g
Volume (packaged, dm ³)	1.043744 dm ³
Packing standard	1

DIN	DIN 3117 / ISO 6787 Form B	WEEE/ElektroG	nicht ear-pflichtig
Alloy	Chrome Vanadium Steel	Customs tariff no.	82041200
Surface	phosphated	Country of origin AWR	SPAIN
		Region of origin	Ausländischer Ursprung
		Depth mm (IFS)	385
		Width mm (IFS)	103
		Height mm (IFS)	25
		Weight (gross, kg)	1,222
		Weight PAP (kg)	0,000
		Weight PVC (kg)	0,018
		Length (packaged, mm)	386
		Width (packaged, mm)	104
		Height (packaging, mm)	26

GTIN.



STAHLWILLE Eduard Wille GmbH

Lindenallee 27 · 42349 Wuppertal · Germany · Phone: +49 202 4791-0

info@stahlwille.de · www.stahlwille.com

© STAHLWILLE Eduard Wille GmbH, Wuppertal