

## Adjustable spanners, imperial

**4026**



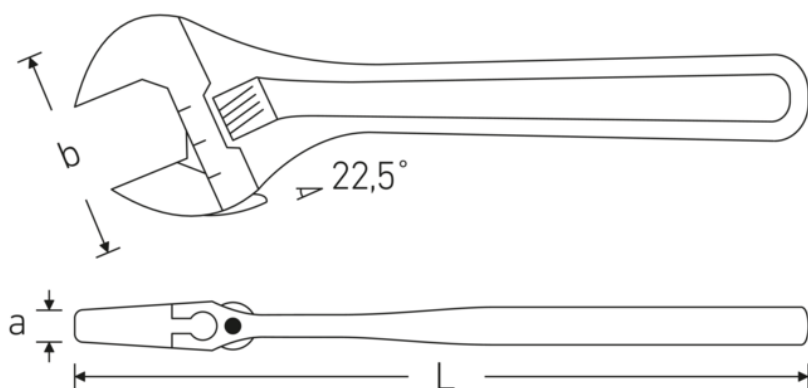
Product no. **40260106**  
GTIN **4018754299577**  
Model **4026 6**

**Label.** Adjustable spanner max. size 24mm L.161mm

**Properties.**

- counter-clockwise adjustment screw
- jaw angled 22.5°
- Chrome Alloy Steel, phosphated
- DIN 3117 / ISO 6787 Form B / ASME B 107.100

### Technical drawing.



### Technical attributes.

Size	6
Max. spanner size	24 mm
Length mm (L)	161 mm
Width mm (b)	50 mm
a	10,8 mm

### Logistics data.

Product no.	40260106
GTIN	4018754299577
Weight (g)	155 g
Volume (packaged, dm3)	0.41728 dm3
Packing standard	5

<b>DIN</b>	DIN 3117 / ISO 6787 Form B	<b>WEEE/ElektroG</b>	nicht ear-pflichtig
<b>Alloy</b>	Chrome Vanadium Steel	<b>Customs tariff no.</b>	82041200
<b>Surface</b>	phosphated	<b>Country of origin AWR</b>	SPAIN
		<b>Region of origin</b>	Ausländischer Ursprung
		<b>Depth mm (IFS)</b>	160
		<b>Width mm (IFS)</b>	46
		<b>Height mm (IFS)</b>	11
		<b>Weight (gross, kg)</b>	0,650
		<b>Weight PAP (kg)</b>	0,000
		<b>Weight PVC (kg)</b>	0,009
		<b>Length (packaged, mm)</b>	163
		<b>Width (packaged, mm)</b>	64
		<b>Height (packaging, mm)</b>	40

## GTIN.



**STAHLWILLE Eduard Wille GmbH**

Lindenallee 27 · 42349 Wuppertal · Germany · Phone: +49 202 4791-0

info@stahlwille.de · www.stahlwille.com

© STAHLWILLE Eduard Wille GmbH, Wuppertal