



Slotted screwdrivers DRALL®

4724



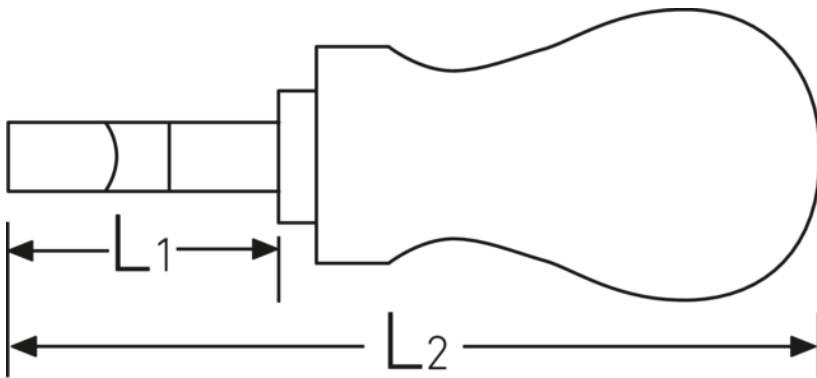
Product no. **47241080**
 GTIN **4018754030286**
 Model **DRALL® 4724 8**



Label. Slotted screwdriver DRALL® 1,2mm x 8mm L.25mm

- Properties.**
- short version
 - for slotted screws
 - black tip
 - Chrome Alloy Steel, matt chrome-plated
 - DIN ISO 2380-1 / DIN ISO 2380-2 / DIN 5264

Technical drawing.



Technical attributes.

Size	3
L1	25 mm
L2	80 mm
Width mm (b)	8 mm

Logistics data.

Product no.	47241080
GTIN	4018754030286
Weight (g)	39 g
Volume (packaged, dm ³)	0.725 dm ³

a	1,2 mm	Packing standard	10
Drive profile	slotted	WEEE/ElektroG	nicht ear-pflichtig
DIN	DIN ISO 2380-1, -2, DIN 5264, ISO 2380-1, -2	Customs tariff no.	82054000
		Country of origin AWR	GERMANY
		Region of origin	Nordrhein-Westfalen
		Depth mm (IFS)	85
		Width mm (IFS)	31
		Height mm (IFS)	28
		Weight (gross, kg)	0,390
		Weight PAP (kg)	0,057
		Weight PVC (kg)	0,000
		Length (packaged, mm)	125
		Width (packaged, mm)	100
		Height (packaging, mm)	58

GTIN.



STAHLWILLE Eduard Wille GmbH

Lindenallee 27 · 42349 Wuppertal · Germany · Phone: +49 202 4791-0

info@stahlwille.de · www.stahlwille.com

© STAHLWILLE Eduard Wille GmbH, Wuppertal