



IMPACT sockets 1"

60IMP

Product no. 26010080
GTIN 4018754234028
Model 60 IMP 80



Label. IMPACT socket 1 " 80mm L.100mm

- Properties.**
- with hex
 - 1" internal square drive
 - DIN 3129 / ISO 1711-2
 - Chrome Alloy Steel, gunmetal finish

Product highlights.



Optimised functionality.

All IMPACT sockets have a through cross hole for the connecting pin and a deep groove for the rubber locking ring. The locking pin is not stressed during use.

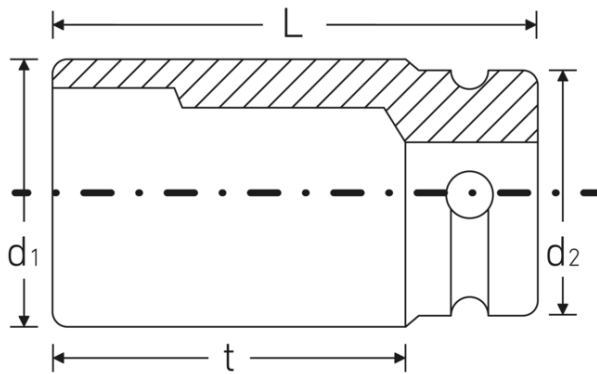
High fitting accuracy.

The high fitting accuracy due to tight tolerances guarantees optimum, backlash-free transmission of forces to the socket.



PRODUCT IMAGE
IN PROGRESS

Technical drawing.



Technical attributes.

Size [mm]	80 mm
Square drive inner (inch)	1 "
Length mm (L)	100 mm
Drive profile	hex
d1	109 mm
d2	86 mm
DIN	DIN 3129 / ISO 1711-2
t	55 mm

Logistics data.

Product no.	26010080
GTIN	4018754234028
Weight (g)	2949 g
Volume (packaged, dm3)	1.08045 dm3
Packing standard	1
WEEE/ElektroG	nicht ear-pflichtig
Customs tariff no.	82042000
Country of origin AWR	TAIWAN
Depth mm (IFS)	97
Width mm (IFS)	104
Height mm (IFS)	104
Weight (gross, kg)	2,949
Weight PAP (kg)	0,000
Weight PVC (kg)	0,005
Length (packaged, mm)	98
Width (packaged, mm)	105
Height (packaging, mm)	105

GTIN.





STAHLWILLE Eduard Wille GmbH

Lindenallee 27 · 42349 Wuppertal · Germany · Phone: +49 202 4791-0

info@stahlwille.de · www.stahlwille.com

© STAHLWILLE Eduard Wille GmbH, Wuppertal