

Torque wrenches Service/Series MANOSKOP®

730 Fix



Product no.	96503020
GTIN	4018754269464
Model	730/20 FIX



Label.

Torque wrench Service/Series MANOSKOP® 730 Fix 40-200N·m 14 x 18 mm L.
467mm

Properties.

- for work on assembly lines or for repetitive production tasks
- clicking type with dual stop signal
- adjustment knob can be unscrewed after setting the desired torque value- subsequent changing of the setting is thus prevented
- the included TORX® Tamper Resistant locking screw also protects against tampering, as well as the included self-adhesive seals. no adjustment is possible without breaking the seal
- no reset to '0' required
- the measuring element is only under load when a force is applied
- fast, precise adjustment with QuickSelect quick adjustment
- dual scale N·m/ft·lb
- mount for interchangeable insert tools
- with QuickRelease safety lock
- clicking mechanism insensitive to continuous loads and counter-loads (up to the max. measurement range of the torque wrench)
- counter-clockwise tightening by turning the insert tools over
- optimal calibration with perfectControl® calibration systems No. 7794 or calibration systems No. 7706, 7791
- easy adjustment without disassembly via 2 external adjustment screws
- with 2-component handle
- in sturdy plastic box (sizes 80-100 in sheet steel box)
- calibration certificate in accordance with DIN EN ISO 6789-2:2017
- **accuracy ± 3%**

Product highlights.



Adjustment does not require disassembly.

Quick adjustment from outside, no disassembly of the torque wrench required, with 2 adjustment points for the maximum & minimum values.

Technologies and features.



QuickRelease

The QuickRelease safety lock prevents unintentional loss of sockets and insert tools. These click securely into place, and are only released again at the push of a button for a quick tool change. In transducers: The QuickRelease safety lock helps you to quickly mount and change transducers. The transducers lock into the calibration system and only unlock again at the push of the buttons.



QuickSelect

Lightning-fast target value setting: Unlock the adjustment knob, set the value, and lock the knob again.



Low-wear bending beam system

Our torque wrench is equipped with a low-wear release system with a bending beam. Unlike conventional torque wrenches with coiled springs, the bending beam is not subjected to any load until the tool is in operation, which means that resetting to '0' is not necessary after use.



Adjustment Lock

The target torque can be quickly adjusted using the adjustment knob. The knob can then be removed to prevent subsequent adjustment. The supplied locking screw (TORX® Tamper Resistant) and an adhesive seal provide additional protection against tampering.



2-component handle

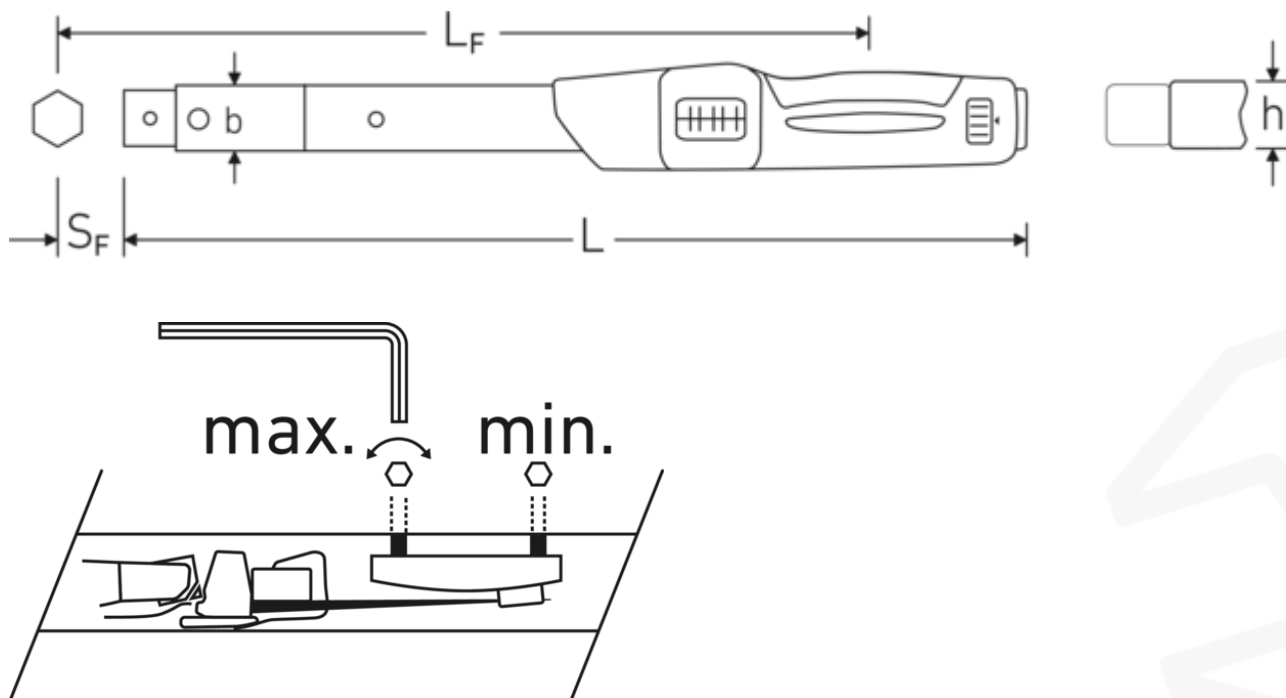
Our 2-component handle is non-slip and ergonomically designed. It is resistant to the most common oils, greases, fuels, brake fluids, and Skydrol. The arrow markings on the handle indicate the direction of operation.



DIN EN ISO 6789-2

Our torque wrenches and torque screwdrivers are professionally calibrated in accordance with DIN EN ISO 6789-2 and delivered with a corresponding calibration certificate. We also calibrate angle-controlled torque wrenches in accordance with VDI 2648-2. This ensures the accuracy and traceability of our tools.

Technical drawing.



Technical attributes.

Size	20
Anzeigeabweichung	± 3 %
Tool holder size [internal square]	14 x 18 mm
Measuring range N·m	40-200 N·m
Measuring range ft·lb	30-150 ft·lb
MA N·m	40 N·m

Logistics data.

Product no.	96503020
GTIN	4018754269464
Weight (g)	1266 g
Volume (packaged, dm ³)	3.65792 dm ³
Packing standard	1
WEEE/ElektroG	nicht ear-pflichtig
Customs tariff no.	82041100

Nominal value N·m	200 N·m	Country of origin AWR	GERMANY
Scale division N·m	10 N·m	Region of origin	Nordrhein-Westfalen
Scale division ft·lb	5 ft·lb	Depth mm (IFS)	560
Fine scale division	1 N·m	Width mm (IFS)	92
Length mm (L)	467 mm	Height mm (IFS)	71
Width mm (b)	28 mm	Weight (gross, kg)	1,872
Height mm (h)	23 mm	Weight PAP (kg)	0,114
DIN	DIN EN ISO 6789-2:2017	Weight PVC (kg)	0,000
LF	424,5 mm	Length (packaged, mm)	560
SF	25 mm	Width (packaged, mm)	92
Weight with box	1890 g	Height (packaging, mm)	71

Parts list.



08160030
Screwdriver bit



19060001
Torque wrench screws



81370002
Plastic box, empty



83825018
Sticker card

GTIN.



Accessories (for).



81370002
Plastic box, empty

Images.



STAHLWILLE Eduard Wille GmbH

Lindenallee 27 · 42349 Wuppertal · Germany · Phone: +49 202 4791-0

info@stahlwille.de · www.stahlwille.com

© STAHLWILLE Eduard Wille GmbH, Wuppertal