



Hand wheel attachment for torque screwdrivers

7791-2

Product no. **52110291**
GTIN **4018754178360**
Model **7791-2**

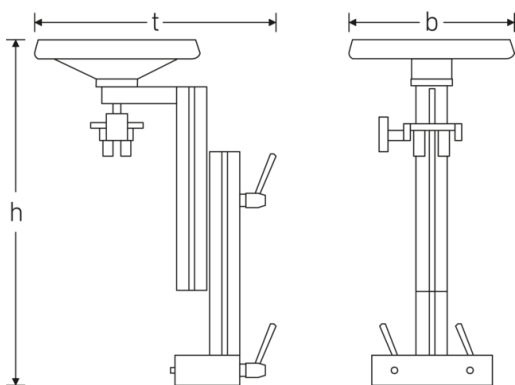
Label.

Hand wheel attachment for torque screwdrivers N·m

Properties.

- can be attached to the manual calibration system No. 7791
- the torque screwdriver to be calibrated is inserted into the transducer and fixed in place using the universal centre clamps
- the force can be applied in a controlled manner using the handwheel

Technical drawing.



Technical attributes.

Width mm (b)	250 mm
variable height	442-593 mm
Range N·m	up to 10 N·m
t	351 mm

Logistics data.

Product no.	52110291
GTIN	4018754178360
Weight (g)	3739 g
Volume (packaged, dm ³)	64.8 dm ³
Packing standard	1

WEEE/ElektroG	nicht ear-pflichtig
Customs tariff no.	90319000
Country of origin AWR	GERMANY
Region of origin	Nordrhein-Westfalen
Depth mm (IFS)	440
Width mm (IFS)	370
Height mm (IFS)	245
Weight (gross, kg)	5,400
Weight PAP (kg)	0,250
Weight PVC (kg)	0,000
Length (packaged, mm)	600
Width (packaged, mm)	400
Height (packaging, mm)	270

GTIN.



STAHLWILLE Eduard Wille GmbH

Lindenallee 27 · 42349 Wuppertal · Germany · Phone: +49 202 4791-0

info@stahlwille.de · www.stahlwille.com

© STAHLWILLE Eduard Wille GmbH, Wuppertal