



## IMPACT sockets 1"

60IMP

Product no. 26010036  
GTIN 4018754016303  
Model 60 IMP 36



**Label.** IMPACT socket 1 " 36mm L.67mm

- Properties.**
- with hex
  - 1" internal square drive
  - DIN 3129 / ISO 1711-2
  - Chrome Alloy Steel, gunmetal finish

## Product highlights.



### Optimised functionality.

All IMPACT sockets have a through cross hole for the connecting pin and a deep groove for the rubber locking ring. The locking pin is not stressed during use.

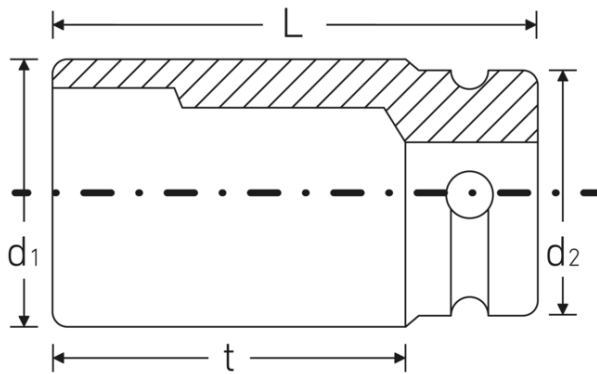
### High fitting accuracy.

The high fitting accuracy due to tight tolerances guarantees optimum, backlash-free transmission of forces to the socket.



PRODUCT IMAGE  
IN PROGRESS

## Technical drawing.



## Technical attributes.

Size [mm]	36 mm
Square drive inner (inch)	1 "
Length mm (L)	67 mm
Drive profile	hex
d1	56,5 mm
d2	54 mm
DIN	DIN 3129 / ISO 1711-2
t	34,5 mm

## Logistics data.

Product no.	26010036
GTIN	4018754016303
Weight (g)	754 g
Volume (packaged, dm3)	0.4872 dm3
Packing standard	2
WEEE/ElektroG	nicht ear-pflichtig
Customs tariff no.	82042000
Country of origin AWR	GERMANY
Region of origin	Nordrhein-Westfalen
Depth mm (IFS)	67
Width mm (IFS)	56
Height mm (IFS)	56
Weight (gross, kg)	1,508
Weight PAP (kg)	0,000
Weight PVC (kg)	0,009
Length (packaged, mm)	120
Width (packaged, mm)	70
Height (packaging, mm)	58

## GTIN.





**STAHLWILLE Eduard Wille GmbH**

Lindenallee 27 · 42349 Wuppertal · Germany · Phone: +49 202 4791-0

[info@stahlwille.de](mailto:info@stahlwille.de) · [www.stahlwille.com](http://www.stahlwille.com)

© STAHLWILLE Eduard Wille GmbH, Wuppertal