

Torque wrenches Service MANOSKOP® (N·m/in·lb)

730a Quick



Product no.	50584012
GTIN	4018754268993
Model	730A/12 QUICK



Label.

Torque wrench Service MANOSKOP® 730a Quick 25-130N·m 14 x 18 mm L. 410mm

Properties.

- clicking type with dual stop signal
- no reset to '0' required
- the measuring element is only under load when a force is applied
- with holder for interchangeable insert tools
- with QuickRelease safety lock
- Quick adjustment thanks to easy-to-operate locking lever in handle.
- non-slip adjuster with thumb recess for quick torque adjustment
- dual scale N·m/in·lb
- counter-clockwise tightening by turning the insert tool over
- clicking mechanism insensitive to continuous loads and counter-loads (up to the max. measurement range of the torque wrench)
- optimal calibration with perfectControl® calibration systems No. 7794 or calibration systems No. 7706, 7791
- easy adjustment without disassembly via 2 external adjustment screws
- with 2-component handle
- calibration certificate in accordance with DIN EN ISO 6789-2:2017
- **accuracy ± 4%**

Benefits.

Quick adjustment thanks to easy-to-operate locking lever in handle.

Ergonomically shaped, non-slip adjuster with thumb recess and ergonomic handle for fatigue-free work.

With calibration certificate, accuracy ± 4%.

Efficient. No reset to '0' necessary, as the measuring element is only under load when a force is applied.

Clicking torque wrench with receptacle for interchangeable insert tools, double stop signal (tactile and audible), counter-clockwise tightening by turning the insert tools over.



Product highlights.



Rapid adjustment.

Easy and quick adjustment of the torque is carried out by an easy-to-operate clamping lever in the handle. The scale can be moved quickly and safely with an ergonomically shaped, non-slip adjustment element with thumb recess.

Adjustment does not require disassembly.

Quick adjustment from outside, no disassembly of the torque wrench required, with 2 adjustment points for the maximum & minimum values.



PRODUCT IMAGE
IN PROGRESS



PRODUCT IMAGE
IN PROGRESS

Clear fine adjustment.

The user-friendly and easy-to-read dual scale in N·m/ft·lb with main and fine scales allows for precise and easy torque adjustment for reliable and accurate application.

Technologies and features.



QuickRelease

The QuickRelease safety lock prevents unintentional loss of insert tools. These click securely into place, and are only released again at the push of a button for a quick tool change. In transducers: The QuickRelease safety lock helps you to quickly mount and change transducers. The transducers lock into the calibration system and only unlock again at the push of the buttons.



QuickSelect

Lightning-fast target value setting: Unlock the adjustment knob, set the value, and lock the knob again.



Low-wear bending beam system

Our torque wrench is equipped with a low-wear release system with a bending beam. Unlike conventional torque wrenches with coiled springs, the bending beam is not subjected to any load until the tool is in operation, which means that resetting to '0' is not necessary after use.



2-component handle

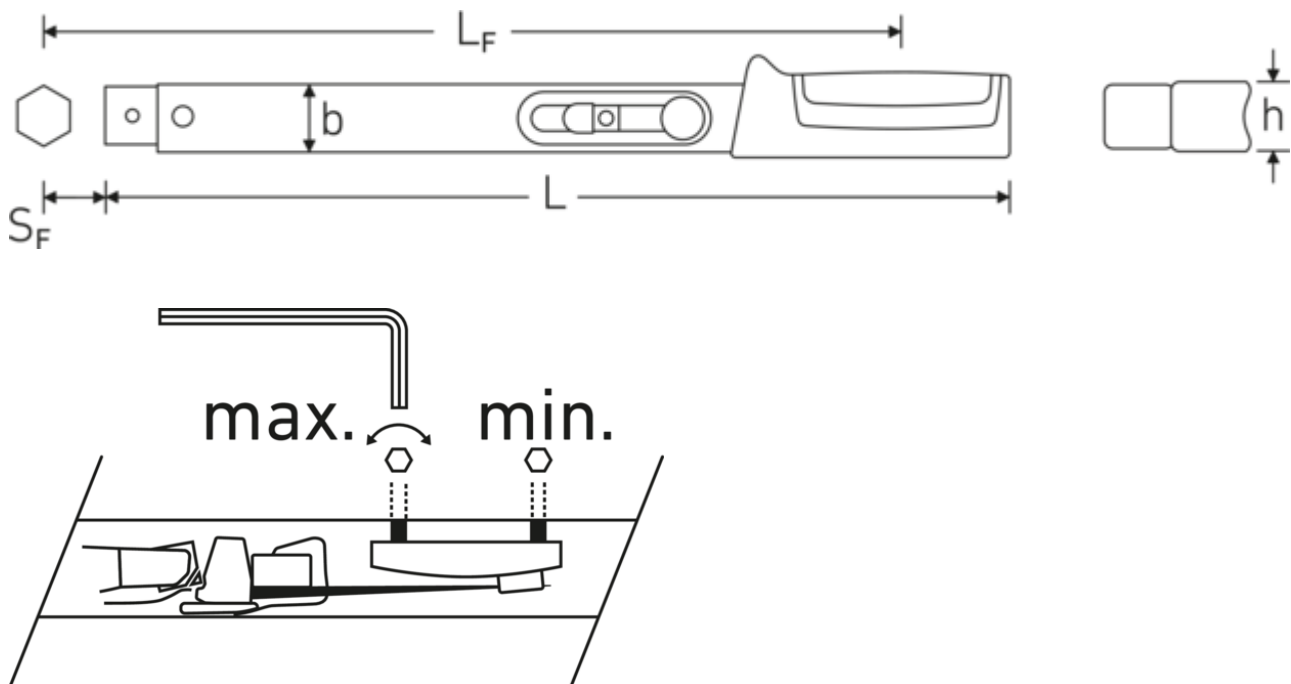
Our 2-component handle is non-slip and ergonomically designed. It is resistant to the most common oils, greases, fuels, brake fluids, and Skydrol. The arrow markings on the handle indicate the direction of operation.



DIN EN ISO 6789-2

Our torque wrenches and torque screwdrivers are professionally calibrated in accordance with DIN EN ISO 6789-2 and delivered with a corresponding calibration certificate. We also calibrate angle-controlled torque wrenches in accordance with VDI 2648-2. This ensures the accuracy and traceability of our tools.

Technical drawing.



Technical attributes.

Size	a/12
Anzeigeabweichung	±4 %
Tool holder size [internal square]	14 x 18 mm
Measuring range N·m	25-130 N·m
Measuring range in·lb	225-1150 in·lb
Scale division N·m	2,5 N·m
Scale division in·lb	25 in·lb
Length mm (L)	410 mm
Width mm (b)	28 mm
Height mm (h)	23 mm
DIN	DIN EN ISO 6789-2:2017
LF	390 mm
SF	25 mm

Logistics data.

Product no.	50584012
GTIN	4018754268993
Weight (g)	1076 g
Volume (packaged, dm ³)	1.0875 dm ³
Packing standard	1
WEEE/ElektroG	nicht ear-pflichtig
Customs tariff no.	82041100
Country of origin AWR	GERMANY
Region of origin	Nordrhein-Westfalen
Depth mm (IFS)	405
Width mm (IFS)	50
Height mm (IFS)	40
Weight (gross, kg)	1,186
Weight PAP (kg)	0,000
Weight PVC (kg)	0,110
Length (packaged, mm)	435
Width (packaged, mm)	50
Height (packaging, mm)	50

GTIN.



Images.



STAHLWILLE Eduard Wille GmbH

Lindenallee 27 · 42349 Wuppertal · Germany · Phone: +49 202 4791-0

info@stahlwille.de · www.stahlwille.com

© STAHLWILLE Eduard Wille GmbH, Wuppertal