

IMPACT sockets 1"

2609IMP



Product no. **26090027**
GTIN **4018754016495**
Model **2609 IMP 27**



Label. IMPACT socket 1 " 27mm L.110mm

- Properties.**
- deep version, with reduced diameter
 - with hex
 - 1" internal square drive
 - for wheel nuts
 - Chrome Alloy Steel, gunmetal finish
 - DIN 3129 / ISO 1711-2

Product highlights.



Optimised functionality.

All IMPACT sockets have a through cross hole for the connecting pin and a deep groove for the rubber locking ring. The locking pin is not stressed during use.

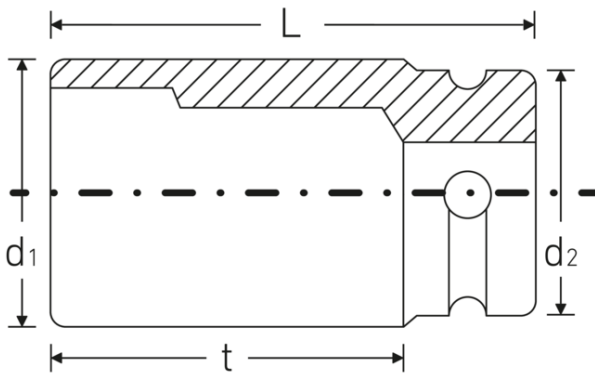
High fitting accuracy.

The high fitting accuracy due to tight tolerances guarantees optimum, backlash-free transmission of forces to the socket.



**PRODUCT IMAGE
IN PROGRESS**

Technical drawing.



Technical attributes.

Size [mm]	27 mm
Square drive inner (inch)	1 "
Length mm (L)	110 mm
Drive profile	hex
d1	42,3 mm
d2	54 mm
t	80 mm

Logistics data.

Product no.	26090027
GTIN	4018754016495
Weight (g)	1001 g
Volume (packaged, dm3)	0.864 dm3
Packing standard	2
WEEE/ElektroG	nicht ear-pflichtig
Customs tariff no.	82042000
Country of origin AWR	GERMANY
Region of origin	Nordrhein-Westfalen
Depth mm (IFS)	110
Width mm (IFS)	55
Height mm (IFS)	55
Weight (gross, kg)	2,012
Weight PAP (kg)	0,000
Weight PVC (kg)	0,007
Length (packaged, mm)	120
Width (packaged, mm)	120
Height (packaging, mm)	60

GTIN.





STAHLWILLE Eduard Wille GmbH

Lindenallee 27 · 42349 Wuppertal · Germany · Phone: +49 202 4791-0

info@stahlwille.de · www.stahlwille.com

© STAHLWILLE Eduard Wille GmbH, Wuppertal