

Adjustable spanners, imperial

4025



Product no. **40250106**
GTIN **4018754299508**
Model **4025 6**

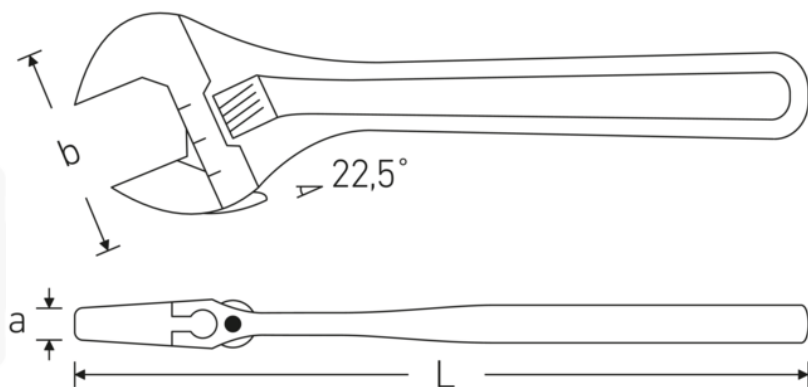
Label. Adjustable spanner max. size 24mm L.161mm

Properties.

- clockwise adjustment screw
- jaw angled 22.5°
- Chrome Alloy Steel, chrome-plated
- DIN 3117 / ISO 6787 Form B / ASME B107.100



Technical drawing.



Technical attributes.

Size	6
Max. spanner size	24 mm
Length mm (L)	161 mm
Width mm (b)	50 mm
a	10,8 mm
DIN	DIN 3117 / ISO 6787 Form B
Alloy	Chrome Vanadium Steel
Surface	chrome-plated

Logistics data.

Product no.	40250106
GTIN	4018754299508
Weight (g)	155 g
Volume (packaged, dm3)	0.421029 dm3
Packing standard	5
WEEE/ElektroG	nicht ear-pflichtig
Customs tariff no.	82041200
Country of origin AWR	SPAIN
Region of origin	Ausländischer Ursprung
Depth mm (IFS)	160
Width mm (IFS)	48
Height mm (IFS)	11
Weight (gross, kg)	0,650
Weight PAP (kg)	0,000
Weight PVC (kg)	0,009
Length (packaged, mm)	163
Width (packaged, mm)	63
Height (packaging, mm)	41

GTIN.



STAHLWILLE Eduard Wille GmbH

Lindenallee 27 · 42349 Wuppertal · Germany · Phone: +49 202 4791-0

info@stahlwille.de · www.stahlwille.com

© STAHLWILLE Eduard Wille GmbH, Wuppertal