

Torque wrenches Service MANOSKOP®

730NR QR



Product no. **96502120**
GTIN **4018754180516**
Model **730NR/20QR FK**



Label.

Torque wrenches Service MANOSKOP® 730NR QR 40-200N·m 1/2" L. 526mm

Properties.

- clicking type with dual stop signal
- no reset to '0' required
- the measuring element is only under load when a force is applied
- with permanently installed QuickRelease ratchet
- with QuickRelease safety lock
- fast, precise adjustment with QuickSelect quick adjustment
- dual scale N·m/ft·lb
- clicking mechanism insensitive to continuous loads and counter-loads (up to the max. measurement range of the torque wrench)
- optimal calibration with perfectControl® calibration systems No. 7794 or calibration systems No. 7706, 7791
- easy adjustment without disassembly via 2 external adjustment screws
- in a sturdy plastic box
- 2-component handle
- calibration certificate in accordance with DIN EN ISO 6789-2:2017
- **accuracy ± 4%**

Product highlights.



**PRODUCT IMAGE
IN PROGRESS**

Adjustment does not require disassembly.

Quick adjustment from outside, no disassembly of the torque wrench required, with 2 adjustment points for the maximum & minimum values.



Reliable handling.

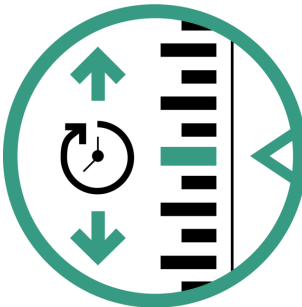
The haptic feedback and a clearly audible 'click' as a dual stop signal from the mechanical trigger reliably indicate that the target value has been reached.

Technologies and features.



QuickRelease

The QuickRelease safety lock prevents unintentional loss of insert tools. These click securely into place, and are only released again at the push of a button for a quick tool change. In transducers: The QuickRelease safety lock helps you to quickly mount and change transducers. The transducers lock into the calibration system and only unlock again at the push of the buttons.



QuickSelect

Lightning-fast target value setting: Unlock the adjustment knob, set the value, and lock the knob again.



Low-wear bending beam system

Our torque wrench is equipped with a low-wear release system with a bending beam. Unlike conventional torque wrenches with coiled springs, the bending beam is not subjected to any load until the tool is in operation, which means that resetting to '0' is not necessary after use.



DIN EN ISO 6789-2

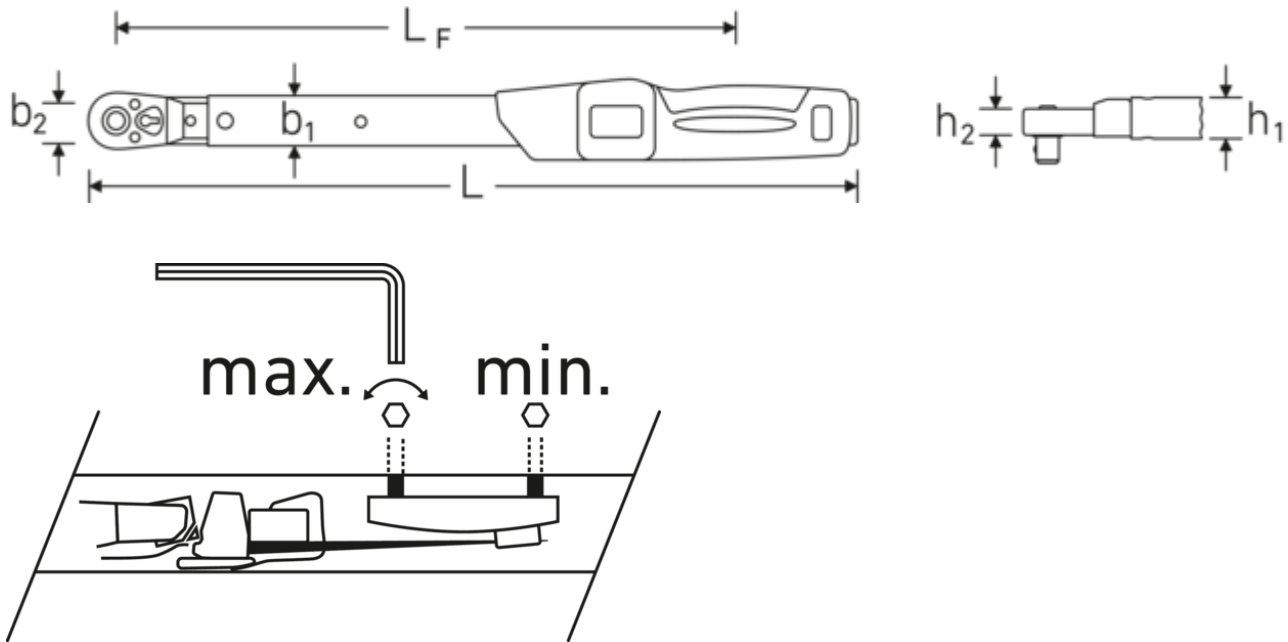
Our torque wrenches and torque screwdrivers are professionally calibrated in accordance with DIN EN ISO 6789-2 and delivered with a corresponding calibration certificate. We also calibrate angle-controlled torque wrenches in accordance with VDI 2648-2. This ensures the accuracy and traceability of our tools.



2-component handle

Our 2-component handle is non-slip and ergonomically designed. It is resistant to the most common oils, greases, fuels, brake fluids, and Skydrol. The arrow markings on the handle indicate the direction of operation.

Technical drawing.



Technical attributes.

Size	20QR FK
Anzeigeabweichung	± 4 %
Measuring range N·m	40-200 N·m
Measuring range ft·lb	30-150 ft·lb
Scale division N·m	10 N·m
Scale division ft·lb	5 ft·lb
Fine scale division	1 N·m
External square drive (inch)	1/2
Length mm (L)	526 mm
b1	28 mm
b2	41 mm
Height mm (h1)	23 mm
Height mm (h2)	18 mm
DIN	DIN EN ISO 6789-2:2017

Logistics data.

Product no.	96502120
GTIN	4018754180516
Weight (g)	1589 g
Volume (packaged, dm ³)	3.6064 dm ³
Packing standard	1
WEEE/ElektroG	nicht ear-pflichtig
Customs tariff no.	82041100
Country of origin AWR	GERMANY
Region of origin	Nordrhein-Westfalen
Depth mm (IFS)	560
Width mm (IFS)	92
Height mm (IFS)	70
Weight (gross, kg)	2,195
Weight PAP (kg)	0,095
Weight PVC (kg)	0,000

LF	438,5 mm	Length (packaged, mm)	560
Weight with box	2014 g	Width (packaged, mm)	92
		Height (packaging, mm)	70

Parts list.



81370002
Plastic box, empty

GTIN.

