



Ball joint separator

11700

Product no. **71070000**
GTIN **4018754342365**
Model **11700**

Label.

Ball joint separator Fork opening 23mm

Properties.

- for quick and reliable pressing out of ball joint pins from track rods and stabilisers
- for car and truck ball joints
- compact model
- body and lever made from tempered steel
- drop-forged, hardened and tempered

Benefits.

For quick and reliable pressing out of ball joint pins from track rods, stabilisers etc.

The compact design makes it ideal for vehicle repairs and for use in confined spaces.

The body and the lever are made from high-strength heat-treated steel and are drop-forged.

Makes it easy to disassemble the ball joints of track rods of cars and lorries, and is suitable for the most popular vehicle makes.

Flexible use thanks to the two-stage lever adjustment option.

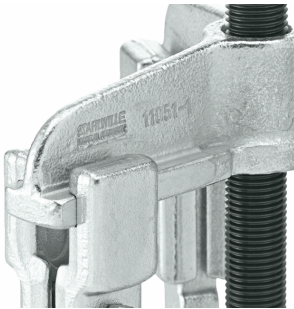
Product highlights.



PRODUCT IMAGE
IN PROGRESS

Compact design.

Its compact design and slim fork allow the ball joint extractor to be used precisely and easily, even in confined spaces.



Enormous bending stiffness.

High bending rigidity thanks to cross members with precisely calculated profile ribs and milled, smooth guideways.



Reliable sliding properties.

The high-quality tempered and specially coated pressure spindle has particularly good sliding properties in the thread, is maintenance-free and does not require oiling.

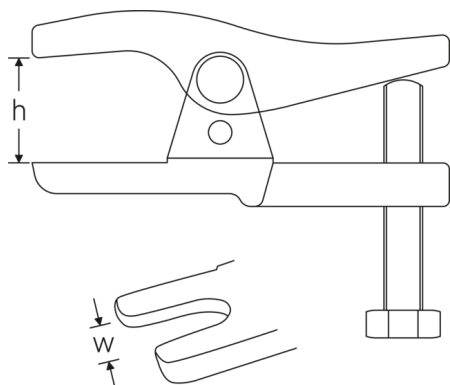


PRODUCT IMAGE
IN PROGRESS

Robust construction.

The tool is made of high-quality steel and drop-forged, which gives it high stability and resistance to continuous use.

Technical drawing.



Technical attributes.

External hex drive (mm)	19 mm
Fork opening (w)	23 mm
Clear height (h) mm	20-50 mm

Logistics data.

Product no.	71070000
GTIN	4018754342365
Weight (g)	730 g
Volume (packaged, dm3)	0.576 dm3
Packing standard	1
WEEE/ElektroG	nicht ear-pflichtig
Customs tariff no.	82055980
Country of origin AWR	GERMANY
Region of origin	Nordrhein-Westfalen
Depth mm (IFS)	95
Width mm (IFS)	75
Height mm (IFS)	55
Weight (gross, kg)	0,724
Weight PAP (kg)	0,004
Weight PVC (kg)	0,000
Length (packaged, mm)	120
Width (packaged, mm)	80
Height (packaging, mm)	60

GTIN.





STAHLWILLE Eduard Wille GmbH

Lindenallee 27 · 42349 Wuppertal · Germany · Phone: +49 202 4791-0

info@stahlwille.de · www.stahlwille.com

© STAHLWILLE Eduard Wille GmbH, Wuppertal