

## Spline-Drive adaptor

### 447aSP



Product no. **02480034**  
GTIN **4018754134786**  
Model **447aSP 9/16 Spline**



#### Label.

Spline-Drive adaptor 9/16" Internal square drive 3/8"

#### Properties.

- for external Spline-Drive screws
- MS-33787, MIL-W-8982
- HPQ® high-performance steel, gunmetal finish

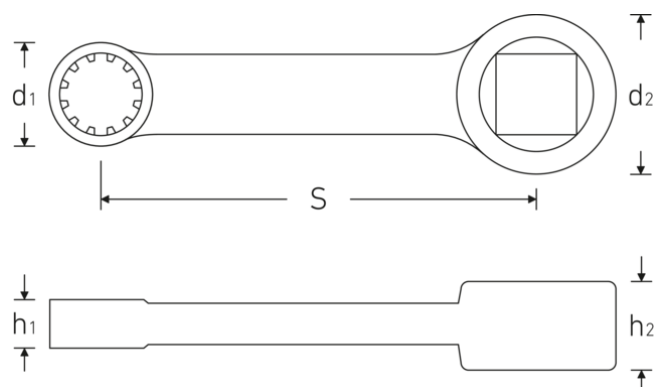
## Technologies and features.



#### High Performance Quality (HPQ®)

Our HPQ® tool is made of wear-resistant high-performance steel, yet is thin-walled and lightweight. It withstands high torques and is ideal for work in confined spaces such as turbines.

## Technical drawing.



## Technical attributes.

Internal square [inch]	3/8 "
d1	21 mm
d2	19 mm
Height mm (h1)	9,2 mm
Height mm (h2)	11 mm
S	50,8 mm
Size [inch]	9/16 "

## Logistics data.

Depth mm (IFS)	71
Width mm (IFS)	21
Height mm (IFS)	11
WEEE/ElektroG	nicht ear-pflichtig
Length (packaged, mm)	81
Width (packaged, mm)	31
Height (packaging, mm)	13
Volume (packaged, dm3)	0.032643 dm3
Product no.	02480034
Weight (gross, kg)	0,059
Weight PAP (kg)	0,000
Weight PVC (kg)	0,002
GTIN	4018754134786
Country of origin AWR	GERMANY
Region of origin	Nordrhein-Westfalen
Customs tariff no.	82042000
Packing standard	1
Weight (g)	55 g

## Variants.

Product no.	Model No. (ERP)	Description	GTIN
02480014	447aSP 7/32 Spline	Spline-Drive adaptor 7/32" Internal square drive 3/8"	4018754134755
02480016	447aSP 1/4 Spline	Spline-Drive adaptor 1/4" Internal square drive 3/8"	4018754134762

02480018	447aSP 9/32 Spline	Spline-Drive adaptor 9/32" Internal square drive 3/8"	4018754133215
02480020	447aSP 5/16 Spline	Spline-Drive adaptor 5/16" Internal square drive 3/8"	4018754133222
02480024	447aSP 3/8 Spline	Spline-Drive adaptor 3/8" Internal square drive 3/8"	4018754133239
02480028	447aSP 7/16 Spline	Spline-Drive adaptor 7/16" Internal square drive 3/8"	4018754133246
02480032	447aSP 1/2 Spline	Spline-Drive adaptor 1/2" Internal square drive 3/8"	4018754134779
02480034	447aSP 9/16 Spline	Spline-Drive adaptor 9/16" Internal square drive 3/8"	4018754134786
02480036	447aSP 5/8 Spline	Spline-Drive adaptor 5/8" Internal square drive 3/8"	4018754136445

## GTIN.



STAHLWILLE Eduard Wille GmbH & Co. KG

Lindenallee 27 · 42349 Wuppertal · Germany · Phone: +49 202 4791-0 · Fax: +49 202 4791-393

info@stahlwille.de · www.stahlwille.com

© STAHLWILLE Eduard Wille GmbH & Co. KG, Wuppertal