



Open ended shell tool

731/80

Product no. **58218027**
GTIN **4018754132256**
Model **731/80 27**

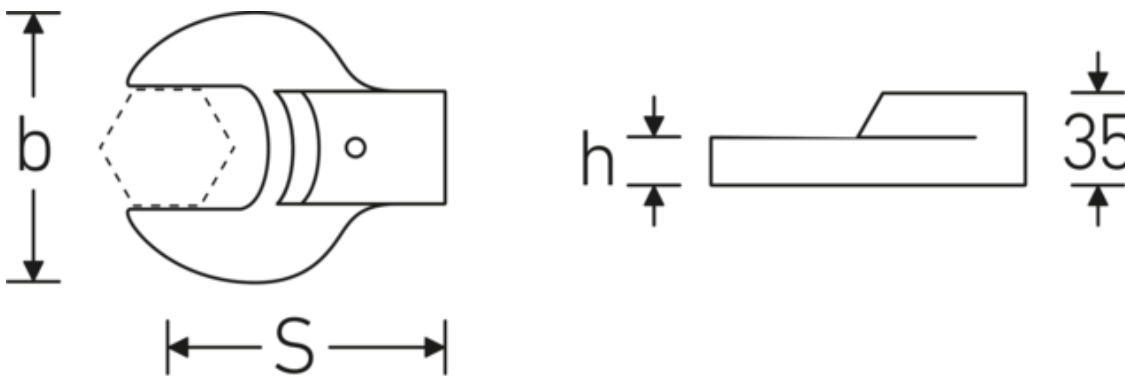
Label.

Open ended shell tool Spanner size 27mm Tool holders 24,5 x 28

Properties.

- For torque wrenches with an attachment for push-on tools
- Fixation by pin lock
- Chromium over nickel, durable and chip-proof finish
- Drop-forged, hardened and cooled in oil bath
- Extremely resilient, exceptionally durable

Technical drawing.



Technical attributes.

Width mm (b)	56 mm
Size of tool holder external square	24,5 x 28 mm
Height mm (h)	14 mm
S	95 mm

Logistics data.

Depth mm (IFS)	109
Width mm (IFS)	43
Height mm (IFS)	35
WEEE/ElektroG	nicht ear-pflichtig

Width across flats [mm]	27 mm	Length (packed, mm)	150
		Width (packed, mm)	70
		Height (packed, mm)	35
		Volume (packed, dm3)	0.3675 dm3
		Art. no.	58218027
		Weight (gross, kg)	0,627
		Weight PAP (kg)	0,000
		Weight PVC (kg)	0,004
		GTIN	4018754132256
		Country of origin AWR	GERMANY
		Region of origin	Nordrhein-Westfalen
		Customs tariff no.	82041100
		Packing standard	1
		Weight	620 g

Variants.

Art. no.	Model no. (ERP)	Description	GTIN
58218024	731/80 24	Open ended shell tool Spanner size 24mm Tool holders24,5 x 28	4018754132249
58218027	731/80 27	Open ended shell tool Spanner size 27mm Tool holders24,5 x 28	4018754132256
58218030	731/80 30	Open ended shell tool Spanner size 30mm Tool holders24,5 x 28	4018754132263
58218032	731/80 32	Open ended shell tool Spanner size 32mm Tool holders24,5 x 28	4018754132270
58218034	731/80 34	Open ended shell tool Spanner size 34mm Tool holders24,5 x 28	4018754132287
58218036	731/80 36	Open ended shell tool Spanner size 36mm Tool holders24,5 x 28	4018754109500
58218041	731/80 41	Open ended shell tool Spanner size 41mm Tool holders24,5 x 28	4018754109517
58218046	731/80 46	Open ended shell tool Spanner size 46mm Tool holders24,5 x 28	4018754109524
58218050	731/80 50	Open ended shell tool Spanner size 50mm Tool holders24,5 x 28	4018754109531
58218055	731/80 55	Open ended shell tool Spanner size 55mm Tool holders24,5 x 28	4018754109548
58218060	731/80 60	Open ended shell tool Spanner size 60mm Tool holders24,5 x 28	4018754109555

GTIN.



Accessories (for).



18220003
Tool holder

STAHLWILLE Eduard Wille GmbH & Co. KG

Lindenallee 27 · 42349 Wuppertal · Germany · Phone: +49 202 4791-0 · Fax: +49 202 4791-200
info@stahlwille.de · www.stahlwille.com · Copyright by STAHLWILLE Eduard Wille GmbH & Co. KG, Wuppertal
Copyright by STAHLWILLE Eduard Wille GmbH & Co. KG, Wuppertal