



## Flare nut Crowfoot wrench, inch

440a

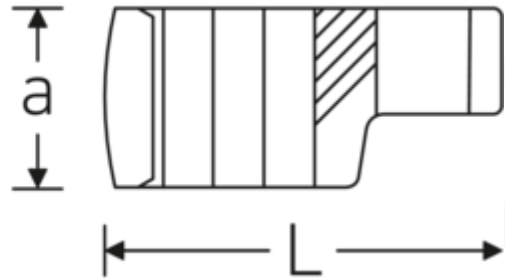
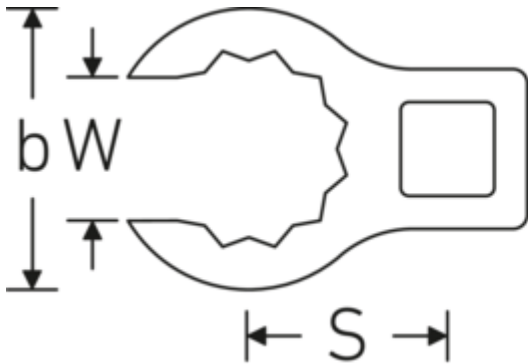
Product no. 01490024  
GTIN 4018754116805  
Model 440a 3/8



### Label.

1/4 " Flare nut Crowfoot wrench Size 3/8" L.28.4mm

### Technical drawing.



### Technical attributes.

a	13,5 mm
Square drive inner (inch)	1/4 "
Width mm (b)	18,2 mm
Length mm (L)	28,4 mm
S	14 mm
Size [inch]	3/8 "
W	7,1 mm

### Logistics data.

Depth mm (IFS)	28
Width mm (IFS)	18
Height mm (IFS)	14
WEEE/ElektroG	nicht ear-pflichtig
Length (packaged, mm)	29
Width (packaged, mm)	19
Height (packaging, mm)	15
Volume (packaged, dm3)	0.008265 dm3
Product no.	01490024

<b>Weight (gross, kg)</b>	0,160
<b>Weight PAP (kg)</b>	0,000
<b>Weight PVC (kg)</b>	0,002
<b>GTIN</b>	4018754116805
<b>Country of origin AWR</b>	GERMANY
<b>Region of origin</b>	Nordrhein-Westfalen
<b>Customs tariff no.</b>	82042000
<b>Packing standard</b>	10
<b>Weight (g)</b>	16 g

## Variants.

Product no.	Model No. (ERP)	Description	GTIN
01490024	440a 3/8	1/4 " Flare nut Crowfoot wrench Size 3/8" L.28.4mm	4018754116805
01490028	440a 7/16	1/4 " Flare nut Crowfoot wrench Size 7/16" L.28mm	4018754001460
01490032	440a 1/2	1/4 " Flare nut Crowfoot wrench Size 1/2" L.30.5mm	4018754001477
01490034	440a 9/16	1/4 " Flare nut Crowfoot wrench Size 9/16" L.31.7mm	4018754001484
02490036	440a 5/8	3/8 " Flare nut Crowfoot wrench Size 5/8" L.36.5mm	4018754004546
02490038	440a 11/16	3/8 " Flare nut Crowfoot wrench Size 11/16" L.39.2mm	4018754004553
02490040	440a 3/4	3/8 " Flare nut Crowfoot wrench Size 3/4" L.40.9mm	4018754004560
02490042	440a 13/16	3/8 " Flare nut Crowfoot wrench Size 13/16" L.42.9mm	4018754004577
02490044	440a 7/8	3/8 " Flare nut Crowfoot wrench Size 7/8" L.45.2mm	4018754004584
02490046	440a 15/16	3/8 " Flare nut Crowfoot wrench Size 15/16" L.47.2mm	4018754004591
02490048	440a 1	3/8 " Flare nut Crowfoot wrench Size 1" L.49.3mm	4018754004607
02490050	440a 1.1/16	3/8 " Flare nut Crowfoot wrench Size 1 1/16" L.52.8mm	4018754004614
03490052	440a 1.1/8	1/2 " Flare nut Crowfoot wrench Size 1 1/8" L.56.8mm	4018754008445
03490056	440a 1.1/4	1/2 " Flare nut Crowfoot wrench Size 1 1/4" L.62.5mm	4018754008452
03490058	440a 1.5/16	1/2 " Flare nut Crowfoot wrench Size 1 5/16" L.62.3mm	4018754008469

03490060	440a 1.3/8	1/2 " Flare nut Crowfoot wrench Size 1 3/8" L.64.2mm	4018754008476
03490062	440a 1.7/16	1/2 " Flare nut Crowfoot wrench Size 1 7/16" L.66.5mm	4018754008483
03490064	440a 1.1/2	1/2 " Flare nut Crowfoot wrench Size 1 1/2" L.68.1mm	4018754008490
03490065	440a 1.9/16	1/2 " Flare nut Crowfoot wrench Size 1 9/16" L.70.1mm	4018754008506
03490066	440a 1.5/8	1/2 " Flare nut Crowfoot wrench Size 1 5/8" L.71.8mm	4018754008513
03490068	440a 1.3/4	1/2 " Flare nut Crowfoot wrench Size 1 3/4" L.75.6mm	4018754008520
03490069	440a 1.13/16	1/2 " Flare nut Crowfoot wrench Size 1 13/16" L.77.7mm	4018754008537
03490072	440a 2	1/2 " Flare nut Crowfoot wrench Size 2" L.83.2mm	4018754008544
03490076	440a 2.1/4	1/2 " Flare nut Crowfoot wrench Size 2 1/4" L.91.2mm	4018754008551
03490077	440a 2.5/16	1/2 " Flare nut Crowfoot wrench Size 2 5/16" L.93.3mm	4018754008568
03490078	440a 2.3/8	1/2 " Flare nut Crowfoot wrench Size 2 3/8" L.95.2mm	4018754008575

## GTIN.



**STAHLWILLE Eduard Wille GmbH**

Lindenallee 27 · 42349 Wuppertal · Germany · Phone: +49 202 4791-0

info@stahlwille.de · www.stahlwille.com

© STAHLWILLE Eduard Wille GmbH, Wuppertal