



Calibration system for torque screwdrivers "Stand alone"

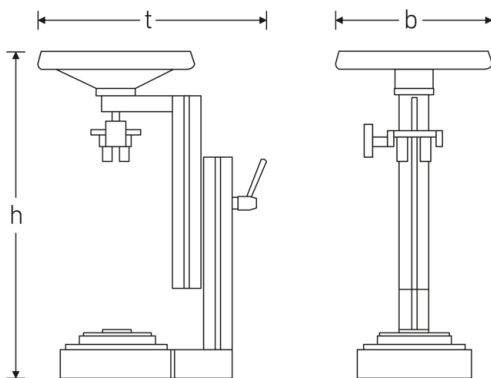
7790

Product no. **58521090**
GTIN **4018754155569**
Model **7790**

Label.

Calibration system for torque screwdrivers "Stand alone"

Technical drawing.



Technical attributes.

variable height	442-593 mm
Width mm (b)	250 mm
for transducers	7728-1S
t	351 mm

Logistics data.

Depth mm (IFS)	588
Width mm (IFS)	390
Height mm (IFS)	265
WEEE/ElektroG	nicht ear-pflichtig
Length (packaged, mm)	595
Width (packaged, mm)	395
Height (packaging, mm)	295
Volume (packaged, dm3)	69.332375 dm3
Product no.	58521090

Weight (gross, kg)	8,950
Weight PAP (kg)	1,200
Weight PVC (kg)	0,000
GTIN	4018754155569
Country of origin AWR	GERMANY
Region of origin	Nordrhein-Westfalen
Customs tariff no.	90319000
Packing standard	1
Weight (g)	8950 g

Variants.

Product no.	Model No. (ERP)	Description	GTIN
58521090	7790	Calibration system for torque screwdrivers "Stand alone"	4018754155569

GTIN.



STAHLWILLE Eduard Wille GmbH

Lindenallee 27 · 42349 Wuppertal · Germany · Phone: +49 202 4791-0

info@stahlwille.de · www.stahlwille.com

© STAHLWILLE Eduard Wille GmbH, Wuppertal