

Mobile workbench WB 621

WB 621



Product no.	85010621
GTIN	4018754336241
Model	WB 621



Label.

Mobile workbench WB 621 7 Drawer anthracite, RAL 7016; black, RAL 9005
L.500mm x W.1150mm x H.1045mm

Properties.

- **three-stage safety concept:**

1. central locking with a lateral cylinder lock and hinged key
2. individual locks prevent inadvertent opening during transit
3. tilt protection - makes it impossible to pull out several drawers at the same time
 - 7 easily removable drawers, black, full-extension runners with bearing cage guide
 - 2 drawers in generous XXL format, 880 mm
 - separate lockable cabinet compartment with magnetic bracket and adjustable shelves (70 mm grid)
 - drawers and cabinet compartment close at the same time
 - large work surface with multiplex beechwood worktop (with FSC certification), 1150 x 500 x 30 mm
 - cabling through 2 rubber cable grommets
 - removable cable duct on the back side
 - oil and acid-resistant wheels ((symbol) 125 mm) with bearings protected from the ingress of dirt and fibres, and 2 parking brakes
 - paper roll holder
 - RAL 7016 body, RAL 9005 drawers and cabinet compartment, in durable industrial powder coating
 - stainless steel decorative trim
 - two-sided perforated panel for hooks (No. 8031-8041)
 - available separately: e-kit consisting of a magnetic multi-plug with 2 USB ports, a magnetic holder (flexible positioning on any metallic part of the workbench), and a cable holder
 - can be equipped with STAHLWILLE TCS inlays

Benefits.

Three-stage safety concept: 1. Central locking by side cylinder lock with folding key 2. Individual locks prevent inadvertent opening while in transit 3. Tilt protection – it

With 7 full-extension drawers, 2 in XXL format, and a lockable cabinet section.

is not possible to pull out several drawers at the same time.

Three-stage safety concept with single lock and foldable key.

With cable outlets and a cable duct for an organized and safe working environment.

Can be extended with an e-kit with triple socket, cable and magnetic holder and USB ports.



Product highlights.



Perfectly equipped.

Our workbench is of course also available directly with matching tool sets. However, we are also happy to put together sets according to customer requirements for individual requirements. Just talk to us.



Ergonomic height.

The working height of 104 cm and the particularly large, FSC-certified worktop makes work more comfortable.



Reliable construction.

High-quality materials ensure the durability one expects from STAHLWILLE, such as the robust body and drawers with industrial powder coating. The oil and acid-resistant smooth-running wheels (Ø 125 mm) are equipped with guards to protect the bearings from dirt and fibres, and with 2 locking brakes.



Secure down to the last detail.

The central lock with countersunk, side-mounted cylinder lock, together with the foldable key, protects against injury and damage. The individual locking mechanism prevents unintentional opening during transit - the anti-tilt protection makes it impossible to pull out multiple drawers simultaneously.



PRODUCT IMAGE
IN PROGRESS

Maximum storage space.

Our workbench offers generous storage space with 2 full-length XXL drawers, 5 large drawers and a lockable cabinet section. The WB 621 can be ideally organized with STAHLWILLE foam inlays: TCS inlays 3/3 (XL) for drawers 3-7 and a combination of one TCS inlay 3/3 and one TCS inlay 2/3 (L) for the 2 upper drawers.



PRODUCT IMAGE
IN PROGRESS

Smart cable management.

A detachable cable duct helps to neatly route and organise cables for electrical devices. This reduces the risk of tripping over or damaging the cable, thus increasing safety in the workplace. 2 cable outlets on the back also facilitate the power supply, e.g., when charging stowed battery-powered devices.

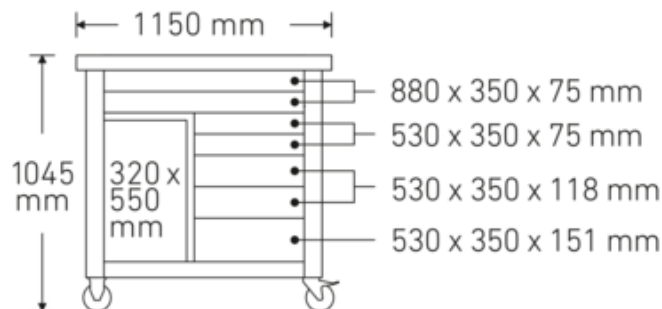
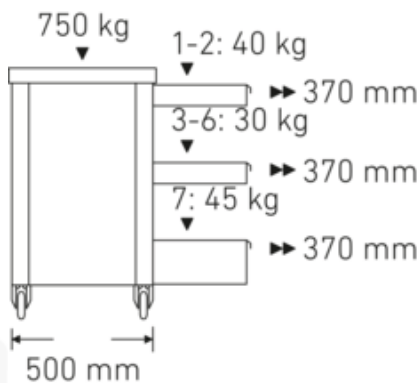
Technologies and features.



Modular Inlay System

This flexible solution for tool storage makes it possible to customize your tool trolleys and workbenches with 1/6, 1/3, 2/3 or 3/3 foam inlays.

Technical drawing.



Technical attributes.

Number of drawers	7
Width mm (b)	1150 mm

Logistics data.

Depth mm (IFS)	1150
Width mm (IFS)	500
Height mm (IFS)	890

Colour	anthracite, RAL 7016; black, RAL 9005	WEEE/ElektroG	nicht ear-pflichtig
Height mm (h)	1045 mm	Length (packaged, mm)	1160
Length mm (L)	500 mm	Width (packaged, mm)	550
Internal drawer dimensions mm	880 x 350 x 75 (2x) 530 x 350 x 75 (2x) 530 x 350 x 118 (2x) 530 x 350 x 151 (1x)	Height (packaging, mm)	930
Drawer load capacity	40 kg 30 kg 30 kg 45 kg	Volume (packaged, dm3)	593.34 dm3
Load capacity	750 kg	Product no.	85010621
		Weight (gross, kg)	115,000
		Weight PAP (kg)	7,500
		Weight PVC (kg)	0,000
		GTIN	4018754336241
		Region of origin	Ausländischer Ursprung
		Packaging	in cardboard box/on pallet
		Customs tariff no.	94032080
		Packing standard	1
		Weight (g)	97500 g

Variants.

Product no.	Model No. (ERP)	Description	GTIN
85010621	WB 621	Mobile workbench WB 621 7 Drawer anthracite, RAL 7016; black, RAL 9005 L.500mm x W.1150mm x H.1045mm	4018754336241

GTIN.



Accessories (for).



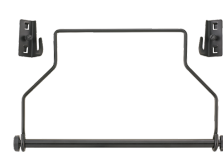
80310090
Single hook



90432727
Spray can holder



80320060
Twin hook



81483004
Paper roll holder



80340040
Twin hook



89010040
Cable holder



80340050
Twin hook



83812070
Empty tray for small
components



80350017
Square lug



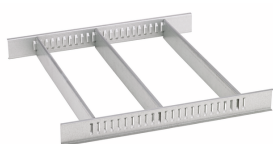
80350020
Square lug



81484001
Drawer divider



80360012
Spring clip



81484002
Drawer divider



80360018
Spring clip



81485006
Spring clip



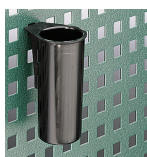
80360024
Spring clip



90432728
Electronic kit



81485012
Spring clip



80380030
Container



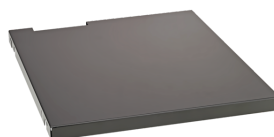
80410235
Holding device for
wrenches



80310030
Single hook



80310060
Single hook



90432736
Shelf



89010041
Laptop holder



80320030
Twin hook

Spare part(s), spare part(s) for.



90432731
Multiplex beechwood
worktop

81490001
Wheel set

89480003
Set of wheels

81490005
Wheel set

Images.





STAHLWILLE Eduard Wille GmbH

Lindenallee 27 · 42349 Wuppertal · Germany · Phone: +49 202 4791-0

info@stahlwille.de · www.stahlwille.com

© STAHLWILLE Eduard Wille GmbH, Wuppertal