

Torque wrench service MANOSKOP®

730 Fix



Product no. **96503080**
GTIN **4018754269662**
Model **730/80 FIX**



Label.

Torque wrench service MANOSKOP® 730 Fix 160-800N·m 22 x 28 mm L. 1178mm

Product highlights.



Adjustment does not require disassembly.

Quick adjustment from outside, no disassembly of the torque wrench required, with 2 adjustment points for the maximum & minimum values.



Clear fine adjustment.

The easy-to-use and easy-to-read double scale in N·m/ft·lb allows precise and easy target torque adjustment for reliable and accurate application.

Technologies and features.



QuickRelease

The QuickRelease safety lock prevents unintentional loss of insert tools. These click securely into place, and are only released again at the push of a button for a quick tool change. In transducers: The QuickRelease safety lock helps you to quickly mount and change transducers. The transducers lock into the calibration system and only unlock again at the push of the buttons.



QuickSelect

Lightning-fast target value setting: Unlock the adjustment knob, set the value, and lock the knob again.



Low-wear bending beam system

Our torque wrench is equipped with a low-wear release system with a bending beam. Unlike conventional torque wrenches with coiled springs, the bending beam is not subjected to any load until the tool is in operation, which means that the spring does not need to be reset to '0' after use.



Adjustment Lock

The target torque can be quickly adjusted using the adjustment knob. The knob can then be removed to prevent subsequent adjustment. The supplied locking screw (TORX® Tamper resistant) and an adhesive seal provide additional protection against tampering.



2-component handle

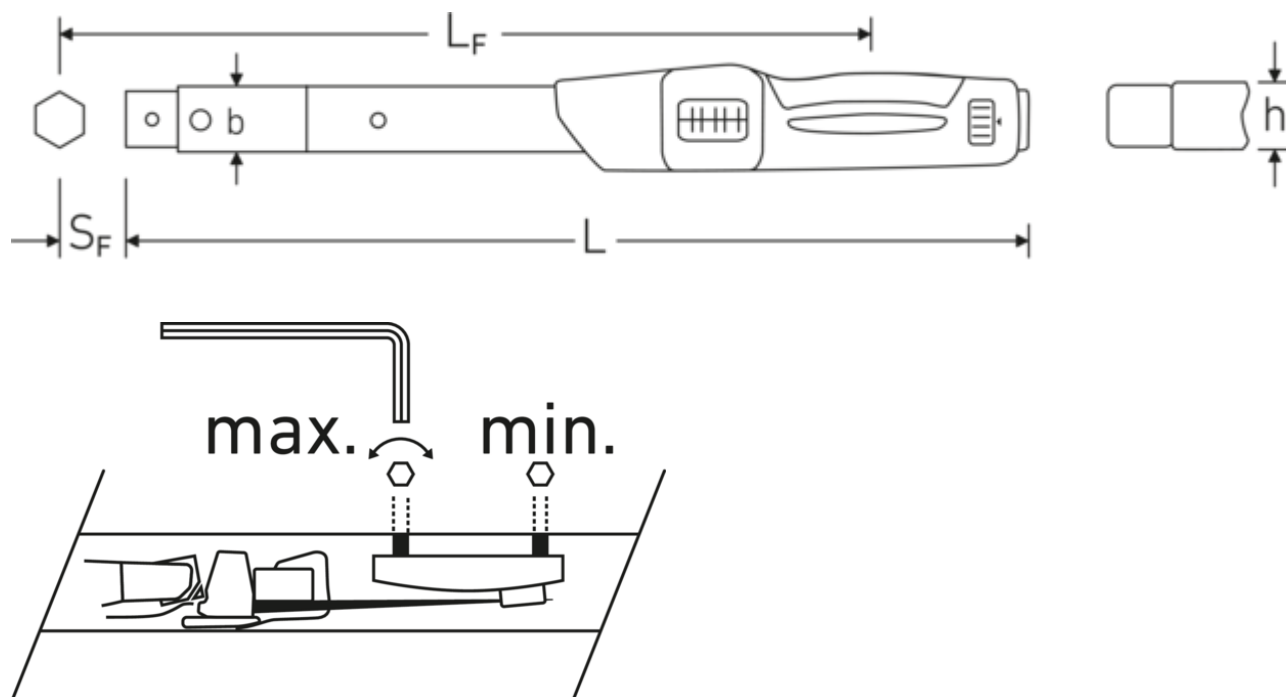
Our 2-component handle is non-slip and ergonomically designed. It is resistant to the most common oils, greases, fuels, brake fluids, and Skydrol. The arrow markings on the handle indicate the direction of operation.



DIN EN ISO 6789-2

Our torque wrenches and torque screwdrivers are professionally calibrated in accordance with DIN EN ISO 6789-2 and delivered with a corresponding calibration certificate. We also calibrate angle-controlled torque wrenches in accordance with VDI 2648-2. This ensures the accuracy and traceability of our tools.

Technical drawing.



Technical attributes.

Scale division N·m	100 N·m
Scale division ft·lb	25 ft·lb
Measuring range N·m	160-800 N·m
Measuring range ft·lb	120-600 ft·lb
Width mm (b)	30,6 mm
DIN	DIN EN ISO 6789-2:2017
Fine scale division	5 N·m
Weight with box	10500 g
Size	80
Tool holder size [internal square]	22 x 28 mm
Height mm (h)	25,6 mm
Length mm (L)	1178 mm
LF	1167 mm
MA N·m	160 N·m
Nominal value N·m	800 N·m
SF	55 mm

Logistics data.

Depth mm (IFS)	1500
Width mm (IFS)	130
Height mm (IFS)	100
WEEE/ElektroG	nicht ear-pflichtig
Length (packaged, mm)	1500
Width (packaged, mm)	130
Height (packaging, mm)	100
Volume (packaged, dm ³)	19.5 dm ³
Product no.	96503080
Weight (gross, kg)	10,665
Weight PAP (kg)	0,650
Weight PVC (kg)	0,000
GTIN	4018754269662
Country of origin AWR	GERMANY
Region of origin	Nordrhein-Westfalen
Customs tariff no.	82041100
Packing standard	1
Weight (g)	4794 g

Parts list.



83825018
Labelling plate



50183080
Torque wrench service
MANOSKOP®



19060001
Spare part



08160030
Screwdriver socket

Variants.

Product no.	Model No. (ERP)	Description	GTIN
96503005	730/5 FIX	Torque wrench service MANOSKOP® 730 Fix 10-50N·m 9 x 12 mm L. 330mm	4018754269433
96503010	730/10 FIX	Torque wrench service MANOSKOP® 730 Fix 20-100N·m 9 x 12 mm L. 386mm	4018754269440
96503012	730/12 FIX	Torque wrench service MANOSKOP® 730 Fix 25-130N·m 14 x 18 mm L. 421mm	4018754269457
96503020	730/20 FIX	Torque wrench service MANOSKOP® 730 Fix 40-200N·m 14 x 18 mm L. 467mm	4018754269464
96503040	730/40 FIX	Torque wrench service MANOSKOP® 730 Fix 80-400N·m 14 x 18 mm L. 607mm	4018754269471
96503065	730/65 FIX	Torque wrench service MANOSKOP® 730 Fix 130-650N·m 14 x 18 mm L. 890mm	4018754269655
96503465	730NII/65 FIX	Torque wrench service MANOSKOP® 730 Fix 130-650N·m 22 x 28 mm L. 911mm	4018754269778
96503080	730/80 FIX	Torque wrench service MANOSKOP® 730 Fix 160-800N·m 22 x 28 mm L. 1178mm	4018754269662
96503100	730/100 FIX	Torque wrench service MANOSKOP® 730 Fix 200-1000N·m 22 x 28 mm L. 1363mm	4018754269679

GTIN.



STAHLWILLE Eduard Wille GmbH

Lindenallee 27 · 42349 Wuppertal · Germany · Phone: +49 202 4791-0

info@stahlwille.de · www.stahlwille.com

© STAHLWILLE Eduard Wille GmbH, Wuppertal