



Flare nut Crowfoot wrench, inch

440a

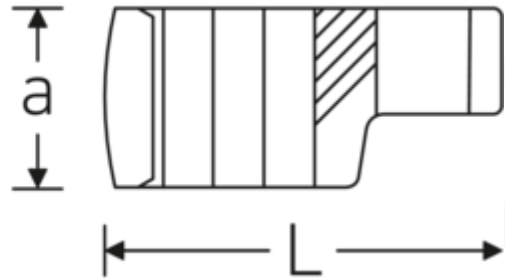
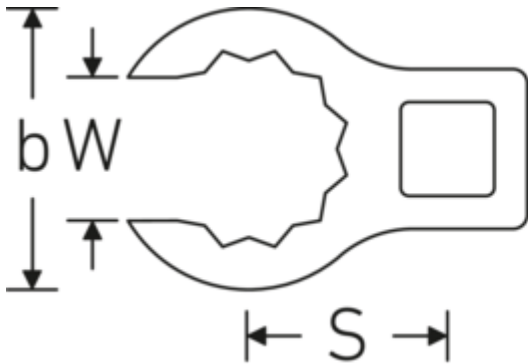
Product no. **03490065**
GTIN **4018754008506**
Model **440a 1.9/16**



Label.

1/2 " Flare nut Crowfoot wrench Size 1 9/16" L.70.1mm

Technical drawing.



Technical attributes.

a	24 mm
Square drive inner (inch)	1/2 "
Width mm (b)	55,9 mm
Length mm (L)	70,1 mm
S	36,7 mm
Size [inch]	1 9/16 "
W	29,4 mm

Logistics data.

Depth mm (IFS)	70
Width mm (IFS)	56
Height mm (IFS)	24
WEEE/ElektroG	nicht ear-pflichtig
Length (packaged, mm)	70
Width (packaged, mm)	56
Height (packaging, mm)	24
Volume (packaged, dm3)	0.09408 dm3
Product no.	03490065

Weight (gross, kg)	0,172
Weight PAP (kg)	0,000
Weight PVC (kg)	0,003
GTIN	4018754008506
Country of origin AWR	GERMANY
Region of origin	Nordrhein-Westfalen
Customs tariff no.	82042000
Packing standard	1
Weight (g)	172 g

Variants.

Product no.	Model No. (ERP)	Description	GTIN
01490024	440a 3/8	1/4 " Flare nut Crowfoot wrench Size 3/8" L.28.4mm	4018754116805
01490028	440a 7/16	1/4 " Flare nut Crowfoot wrench Size 7/16" L.28mm	4018754001460
01490032	440a 1/2	1/4 " Flare nut Crowfoot wrench Size 1/2" L.30.5mm	4018754001477
01490034	440a 9/16	1/4 " Flare nut Crowfoot wrench Size 9/16" L.31.7mm	4018754001484
02490036	440a 5/8	3/8 " Flare nut Crowfoot wrench Size 5/8" L.36.5mm	4018754004546
02490038	440a 11/16	3/8 " Flare nut Crowfoot wrench Size 11/16" L.39.2mm	4018754004553
02490040	440a 3/4	3/8 " Flare nut Crowfoot wrench Size 3/4" L.40.9mm	4018754004560
02490042	440a 13/16	3/8 " Flare nut Crowfoot wrench Size 13/16" L.42.9mm	4018754004577
02490044	440a 7/8	3/8 " Flare nut Crowfoot wrench Size 7/8" L.45.2mm	4018754004584
02490046	440a 15/16	3/8 " Flare nut Crowfoot wrench Size 15/16" L.47.2mm	4018754004591
02490048	440a 1	3/8 " Flare nut Crowfoot wrench Size 1" L.49.3mm	4018754004607
02490050	440a 1.1/16	3/8 " Flare nut Crowfoot wrench Size 1 1/16" L.52.8mm	4018754004614
03490052	440a 1.1/8	1/2 " Flare nut Crowfoot wrench Size 1 1/8" L.56.8mm	4018754008445
03490056	440a 1.1/4	1/2 " Flare nut Crowfoot wrench Size 1 1/4" L.62.5mm	4018754008452
03490058	440a 1.5/16	1/2 " Flare nut Crowfoot wrench Size 1 5/16" L.62.3mm	4018754008469

03490060	440a 1.3/8	1/2 " Flare nut Crowfoot wrench Size 1 3/8" L.64.2mm	4018754008476
03490062	440a 1.7/16	1/2 " Flare nut Crowfoot wrench Size 1 7/16" L.66.5mm	4018754008483
03490064	440a 1.1/2	1/2 " Flare nut Crowfoot wrench Size 1 1/2" L.68.1mm	4018754008490
03490065	440a 1.9/16	1/2 " Flare nut Crowfoot wrench Size 1 9/16" L.70.1mm	4018754008506
03490066	440a 1.5/8	1/2 " Flare nut Crowfoot wrench Size 1 5/8" L.71.8mm	4018754008513
03490068	440a 1.3/4	1/2 " Flare nut Crowfoot wrench Size 1 3/4" L.75.6mm	4018754008520
03490069	440a 1.13/16	1/2 " Flare nut Crowfoot wrench Size 1 13/16" L.77.7mm	4018754008537
03490072	440a 2	1/2 " Flare nut Crowfoot wrench Size 2" L.83.2mm	4018754008544
03490076	440a 2.1/4	1/2 " Flare nut Crowfoot wrench Size 2 1/4" L.91.2mm	4018754008551
03490077	440a 2.5/16	1/2 " Flare nut Crowfoot wrench Size 2 5/16" L.93.3mm	4018754008568
03490078	440a 2.3/8	1/2 " Flare nut Crowfoot wrench Size 2 3/8" L.95.2mm	4018754008575

GTIN.



4 018754 008506

STAHLWILLE Eduard Wille GmbH

Lindenallee 27 · 42349 Wuppertal · Germany · Phone: +49 202 4791-0

info@stahlwille.de · www.stahlwille.com

© STAHLWILLE Eduard Wille GmbH, Wuppertal