



Ball joint separator

11700

Product no. **71070000**
GTIN **4018754342365**
Model **11700**

Label.

Ball joint separator Fork opening 23mm

Properties.

- for quick and reliable pressing out of ball joint pins from track rods and stabilisers
- for car and truck ball joints
- compact model
- body and lever made from tempered steel
- drop-forged, hardened and tempered

Benefits.

For quick and reliable pressing out of ball joint pins from track rods, stabilisers etc.

The compact design makes it ideal for vehicle repairs and for use in confined spaces.

The body and the lever are made from high-strength heat-treated steel and are drop-forged.

Makes it easy to disassemble the ball joints of track rods of cars and lorries, and is suitable for the most popular vehicle makes.

Flexible use thanks to the two-stage lever adjustment option.

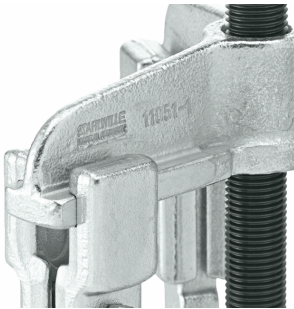
Product highlights.



PRODUCT IMAGE
IN PROGRESS

Compact design.

Its compact design and slim fork allow the ball joint extractor to be used precisely and easily, even in confined spaces.



Sturdy design.

High bending rigidity thanks to cross members with precisely calculated profile ribs and milled, smooth guideways.



Reliable sliding properties.

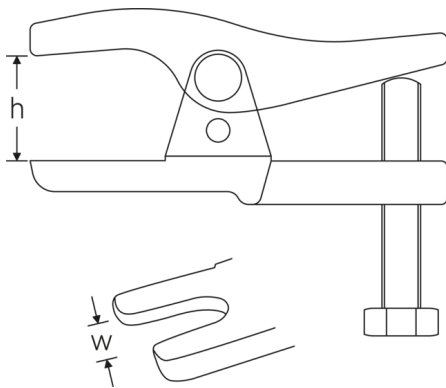
The high-quality tempered and specially coated pressure spindle has particularly good sliding properties in the thread, is maintenance-free and does not require oiling.

For increased safety.

Thoughtfully designed, die-forged and precisely machined, hardened and tempered on state-of-the-art machines - the STAHLWILLE puller range offers numerous products for a wide range of applications. For example, terminal pullers, pullers for ball joints, counter stays or ball joint extractors - always in premium quality.



Technical drawing.



Technical attributes.

Fork opening (w)	23 mm
External hex drive (mm)	19 mm
Clear height (h) mm	20-50 mm

Logistics data.

Depth mm (IFS)	95
Width mm (IFS)	75
Height mm (IFS)	55
WEEE/ElektroG	nicht ear-pflichtig
Length (packaged, mm)	120
Width (packaged, mm)	80
Height (packaging, mm)	60
Volume (packaged, dm3)	0.576 dm3
Product no.	71070000
Weight (gross, kg)	0,724
Weight PAP (kg)	0,004
Weight PVC (kg)	0,000
GTIN	4018754342365
Country of origin AWR	GERMANY
Region of origin	Nordrhein-Westfalen
Customs tariff no.	82055980
Packing standard	1
Weight (g)	730 g

Variants.

Product no.	Model No. (ERP)	Description	GTIN
71070000	11700	Ball joint separator Fork opening 23mm	4018754342365

GTIN.



STAHLWILLE Eduard Wille GmbH

Lindenallee 27 · 42349 Wuppertal · Germany · Phone: +49 202 4791-0

info@stahlwille.de · www.stahlwille.com

© STAHLWILLE Eduard Wille GmbH, Wuppertal