



## Ball joint separator

11701

Product no. **71070001**  
GTIN **4018754342372**  
Model **11701**

**Label.** Ball joint separator Fork opening 20mm

**Properties.**

- for quick and reliable pressing out of ball joint pins from track rods and stabilisers
- for car and truck ball joints
- 2-way adjustable
- body and lever made from tempered steel
- drop-forged, hardened and tempered

## Benefits.

For quick and reliable pressing out of ball joint pins from track rods, stabilisers etc.

Flexible use thanks to the two-stage lever adjustment option.

The body and the lever are made from high-strength heat-treated steel and are drop-forged.

Makes it easy to disassemble the ball joints of track rods of cars and lorries, and is suitable for the most popular vehicle makes.

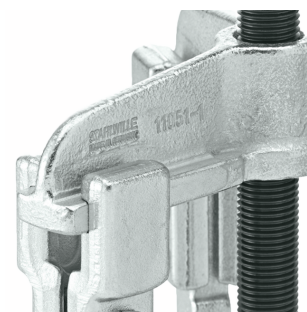
Practical handling thanks to the slim fork.

## Product highlights.



### Reliable sliding properties.

The high-quality tempered and specially coated pressure spindle has particularly good sliding properties in the thread, is maintenance-free and does not require oiling.



### Sturdy design.

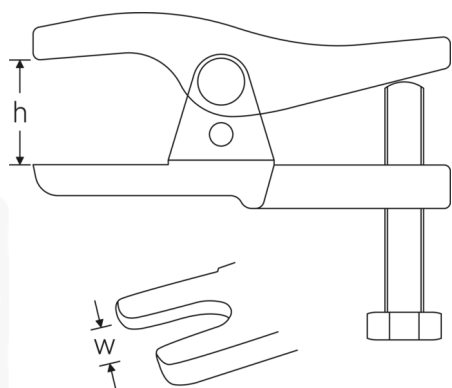
High bending rigidity thanks to cross members with precisely calculated profile ribs and milled, smooth guideways.



### For increased safety.

Thoughtfully designed, die-forged and precisely machined, hardened and tempered on state-of-the-art machines - the STAHLWILLE puller range offers numerous products for a wide range of applications. For example, terminal pullers, pullers for ball joints, counter stays or ball joint extractors - always in premium quality.

## Technical drawing.



## Technical attributes.

Fork opening (w)	20 mm
External hex drive (mm)	24 mm
Clear height (h) mm	12-50 mm

## Logistics data.

Depth mm (IFS)	155
Width mm (IFS)	110
Height mm (IFS)	50
WEEE/ElektroG	nicht ear-pflichtig
Length (packaged, mm)	180
Width (packaged, mm)	120
Height (packaging, mm)	76
Volume (packaged, dm3)	1.6416 dm3
Product no.	71070001
Weight (gross, kg)	1,260
Weight PAP (kg)	0,010
Weight PVC (kg)	0,000
GTIN	4018754342372
Country of origin AWR	GERMANY
Region of origin	Nordrhein-Westfalen
Customs tariff no.	82055980
Packing standard	1
Weight (g)	1370 g

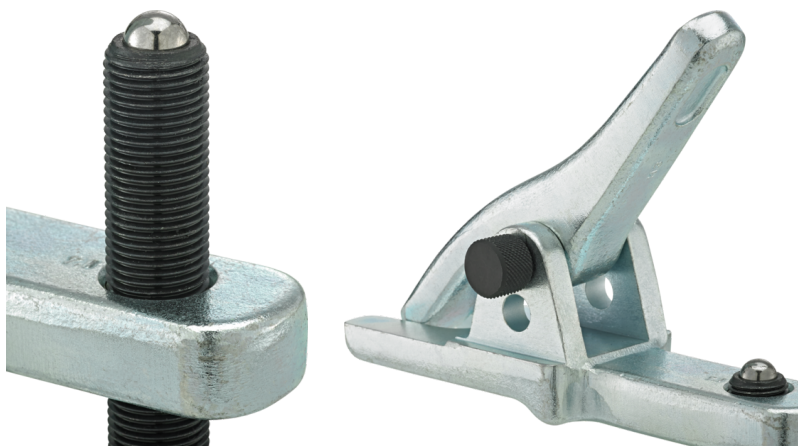
## Variants.

Product no.	Model No. (ERP)	Description	GTIN
71070001	11701	Ball joint separator Fork opening 20mm	4018754342372

## GTIN.



## Images.



**STAHLWILLE Eduard Wille GmbH**

Lindenallee 27 · 42349 Wuppertal · Germany · Phone: +49 202 4791-0

info@stahlwille.de · www.stahlwille.com

© STAHLWILLE Eduard Wille GmbH, Wuppertal