

IMPACT sockets 1/2"

2309



Product no. **23090017**
GTIN **4018754015344**
Model **2309 17**



Label. IMPACT socket 1/2 " 17mm L.85mm

Product highlights.



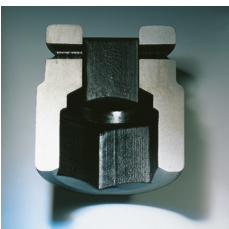
Powerful and resilient.

The sockets are made from high-quality Chrome Alloy Steel. They are hardened in oil to prevent stress and distortion.



Optimized functionality.

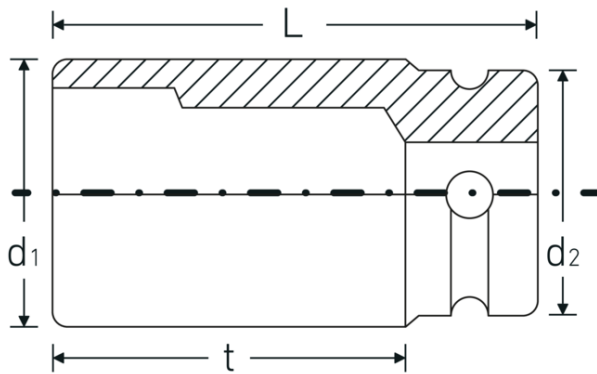
All IMPACT sockets have a through cross hole for the connecting pin and a deep groove for the rubber locking ring. The locking pin is not stressed during use.



High fitting accuracy.

The high fitting accuracy due to tight tolerances guarantees optimum, backlash-free transmission of forces to the socket.

Technical Drawing.



Technical Attributes.

Drive profile	hex
Internal square drive (inch)	1/2 "
d1	25,7 mm
d2	30 mm
Length mm (L)	85 mm
Width across flats [mm]	17 mm
t	68 mm

Logistics data.

Depth mm (IFS)	85
Width mm (IFS)	30
Height mm (IFS)	30
Length (packed, mm)	125
Width (packed, mm)	75
Height (packed, mm)	60
Volume (packed, dm3)	0.5625 dm3
Product no.	23090017
Weight (gross, kg)	1,210
Weight PAP (kg)	0,000
Weight PVC (kg)	0,007
GTIN	4018754015344
Country of origin	GERMANY
Region of origin	Nordrhein-Westfalen
WEEE/ElektroG	nicht ear-pflichtig
Customs tariff no.	82042000
Packing standard	5
Weight	242 g

Variants.

Product no.	Model no. (ERP)	Description	GTIN
23090017	2309 17	IMPACT socket 1/2 " 17mm L.85mm	4018754015344
23090019	2309 19	IMPACT socket 1/2 " 19mm L.85mm	4018754015351
23090221	2309 21	IMPACT socket 1/2 " 21mm L.85mm	4018754265787

23090022 2309 22

IMPACT socket 1/2 " 22mm L.85mm

4018754015368

GTIN-Code.

