

IMPACT sockets 3/4"

2509



Product no. **25090027**
GTIN **4018754015900**
Model **2509 27**



Label. IMPACT socket 3/4 " 27mm L.100mm

Product highlights.



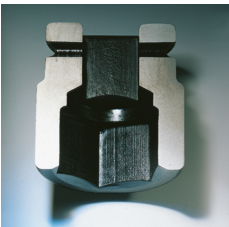
Powerful and resilient.

The sockets are made from high-quality Chrome Alloy Steel. They are hardened in oil to prevent stress and distortion.



Optimized functionality.

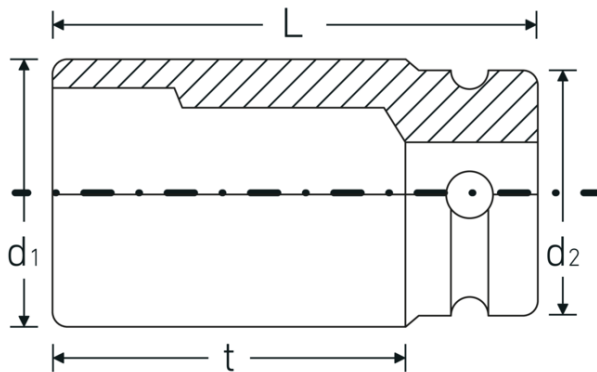
All IMPACT sockets have a through cross hole for the connecting pin and a deep groove for the rubber locking ring. The locking pin is not stressed during use.



High fitting accuracy.

The high fitting accuracy due to tight tolerances guarantees optimum, backlash-free transmission of forces to the socket.

Technical Drawing.



Technical Attributes.

Drive profile	hex
Internal square drive (inch)	3/4 "
d1	40,5 mm
d2	44 mm
Length mm (L)	100 mm
Width across flats [mm]	27 mm
t	72,5 mm

Logistics data.

Depth mm (IFS)	100
Width mm (IFS)	45
Height mm (IFS)	45
Length (packed, mm)	110
Width (packed, mm)	80
Height (packed, mm)	55
Volume (packed, dm3)	0.484 dm3
Product no.	25090027
Weight (gross, kg)	1,344
Weight PAP (kg)	0,000
Weight PVC (kg)	0,008
GTIN	4018754015900
Country of origin	GERMANY
Region of origin	Nordrhein-Westfalen
WEEE/ElektroG	nicht ear-pflichtig
Customs tariff no.	82042000
Packing standard	2
Weight	672 g

Variants.

Product no.	Model no. (ERP)	Description	GTIN
25090027	2509 27	IMPACT socket 3/4 " 27mm L.100mm	4018754015900
25090030	2509 30	IMPACT socket 3/4 " 30mm L.100mm	4018754015917
25090032	2509 32	IMPACT socket 3/4 " 32mm L.100mm	4018754015924

25090033

2509 33

IMPACT socket 3/4 " 33mm L.100mm

4018754015931

GTIN-Code.



Accessories.



39023540
IMPACT locking pin



39013650
IMPACT circlip