



Separation assembly

11500

Product no. **71050016**
GTIN **4018754342228**
Model **11500/1 Trennvorrichtung zu
Abziehvorr.**

Label. Separating fixtur

- Features.**
- galvanised
 - matching No. 11501 of the same size
 - for separating and extracting ball bearings, roller bearings, bushings, wheels and other close-fitting parts
 - the even tightening of the nuts on the side bolts separates the workpieces
 - attach extractor No. 11501; carry out extraction process

Advantages.

For use with extractor device 11051.

Sharp cutting edges make reliable detachment possible in areas where there is insufficient room for extractor hooks.

Protects sensitive components thanks to the smooth, even surface of the large contact areas.

For quick separation and extraction of tight fitting parts such as gears, ball bearings and belt pulleys.

The separating jaws are clamped by evenly tightening the nuts on the side bolts.

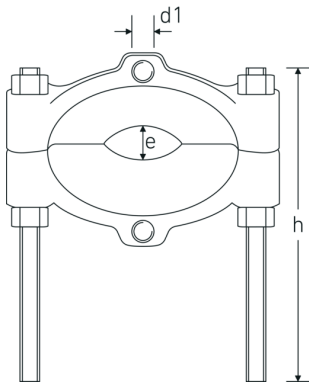
Product highlights.



For improved safety.

Designed with practical applications in mind, drop forged, precision machined on the latest machine tools, hardened and tempered: the STAHLWILLE puller range offers numerous products for a wide variety of applications. For example, standard pullers, cell terminal pullers, ejectors, counter stays, ball joint pullers and wheel hub pullers. Made, of course, in Germany as premium quality tools.

Technical Drawing.



Technical Attributes.

for threads	M10
for model	11501/1
Size	1
Height mm (h)	0 mm
Spreading range (e) min./max.	5-60 mm

Logistics data.

Depth mm (IFS)	192
Width mm (IFS)	120
Height mm (IFS)	40
Length (packed, mm)	192
Width (packed, mm)	120
Height (packed, mm)	40
Volume (packed, dm3)	0.9216 dm3
Art. no.	71050016
Weight (gross, kg)	0,510
Weight PAP (kg)	0,042
Weight PVC (kg)	0,000
GTIN	4018754342228
Country of origin	GERMANY
Region of origin	Nordrhein-Westfalen
WEEE/ElektroG	nicht ear-pflichtig
Customs tariff no.	82055980
Packing standard	1
Weight	500 g

Variants.

Art. no.	Model no. (ERP)	Description	GTIN
71050016	11500/1 Trennvorrichtung zu Abziehvorr.	Separating fixtur	4018754342228

71050017	11500/2 Trennvorrichtung zu Abziehvorr.	Separating fixtur	4018754342235
71050018	11500/3 Trennvorrichtung zu Abziehvorr.	Separating fixtur	4018754342242
71050019	11500/4 Trennvorrichtung zu Abziehvorr.	Separating fixtur	4018754342259

GTIN-Code.



Accessories.



71050101
Puller

Images.





STAHLWILLE Eduard Wille GmbH & Co. KG

Lindenallee 27 · 42349 Wuppertal · Germany · Phone: +49 202 4791-0 · Fax: +49 202 4791-200
info@stahlwille.de · www.stahlwille.com · Copyright by STAHLWILLE Eduard Wille GmbH & Co. KG, Wuppertal
Copyright by STAHLWILLE Eduard Wille GmbH & Co. KG, Wuppertal