



USB power supply

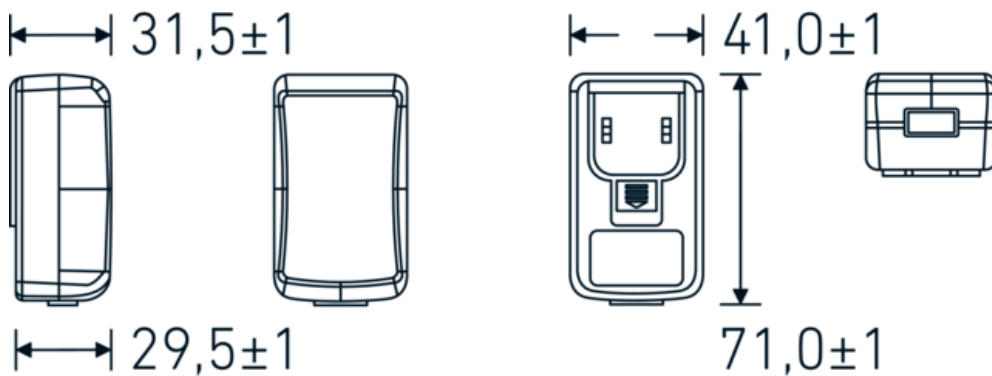
7763

Product no. **52110063**
GTIN **4018754322978**
Model **7763**

Label.

USB mains adapter 100-240V 5-5,2V

Technical Drawing.



Technical Attributes.

Output voltage	5-5,2 V
Input voltage	100-240 V

Logistics data.

Depth mm (IFS)	150
Width mm (IFS)	100
Height mm (IFS)	50
Length (packed, mm)	150
Width (packed, mm)	100
Height (packed, mm)	50
Volume (packed, dm ³)	0.75 dm ³
Product no.	52110063
Weight (gross, kg)	0,108

Weight PAP (kg)	0,000
Weight PVC (kg)	0,000
GTIN	4018754322978
Country of origin	CHINA
Region of origin	Ausländischer Ursprung
WEEE/ElektroG	Kleingeräte B2C
Customs tariff no.	85044083
Packing standard	1
Weight	108 g

Variants.

Product no.	Model no. (ERP)	Description	GTIN
52110063	7763	USB mains adapter 100-240V 5-5,2V	4018754322978

GTIN-Code.

