



IMPACT sockets 1"

60IMP

Product no. 26010050
GTIN 4018754016365
Model 60 IMP 50



Label. IMPACT socket 1 " 50mm L.82mm

Product highlights.



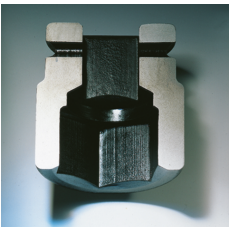
Powerful and resilient.

The sockets are made from high-quality Chrome Alloy Steel. They are hardened in oil to prevent stress and distortion.



Optimized functionality.

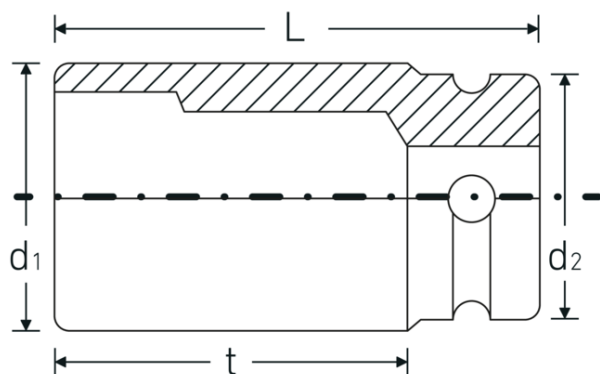
All IMPACT sockets have a through cross hole for the connecting pin and a deep groove for the rubber locking ring. The locking pin is not stressed during use.



High fitting accuracy.

The high fitting accuracy due to tight tolerances guarantees optimum, backlash-free transmission of forces to the socket.

Technical Drawing.



Technical Attributes.

| | |
|------------------------------|-----------------------|
| Drive profile | hex |
| Internal square drive (inch) | 1 " |
| d1 | 74,5 mm |
| d2 | 54 mm |
| DIN | DIN 3129 / ISO 1711-2 |
| Length mm (L) | 82 mm |
| Width across flats [mm] | 50 mm |
| t | 52 mm |

Logistics data.

| | |
|-----------------------------------|-------------------------|
| Depth mm (IFS) | 82 |
| Width mm (IFS) | 75 |
| Height mm (IFS) | 75 |
| Length (packed, mm) | 82 |
| Width (packed, mm) | 75 |
| Height (packed, mm) | 75 |
| Volume (packed, dm ³) | 0.46125 dm ³ |
| Product no. | 26010050 |
| Weight (gross, kg) | 1,362 |
| Weight PAP (kg) | 0,000 |
| Weight PVC (kg) | 0,021 |
| GTIN | 4018754016365 |
| Country of origin | GERMANY |
| Region of origin | Nordrhein-Westfalen |
| WEEE/ElektroG | nicht ear-pflichtig |
| Customs tariff no. | 82042000 |
| Packing standard | 1 |
| Weight | 1362 g |

Variants.

| Product no. | Model no. (ERP) | Description | GTIN |
|-------------|-----------------|-------------------------------|---------------|
| 26010024 | 60 IMP 24 | IMPACT socket 1 " 24mm L.58mm | 4018754016242 |
| 26010027 | 60 IMP 27 | IMPACT socket 1 " 27mm L.60mm | 4018754016259 |
| 26010030 | 60 IMP 30 | IMPACT socket 1 " 30mm L.62mm | 4018754016266 |

| | | | |
|----------|-----------|--------------------------------|---------------|
| 26010032 | 60 IMP 32 | IMPACT socket 1 " 32mm L.63mm | 4018754016273 |
| 26010033 | 60 IMP 33 | IMPACT socket 1 " 33mm L.63mm | 4018754016280 |
| 26010036 | 60 IMP 36 | IMPACT socket 1 " 36mm L.67mm | 4018754016303 |
| 26010038 | 60 IMP 38 | IMPACT socket 1 " 38mm L.70mm | 4018754016327 |
| 26010041 | 60 IMP 41 | IMPACT socket 1 " 41mm L.70mm | 4018754016334 |
| 26010042 | 60 IMP 42 | IMPACT socket 1 " 42mm L.73mm | 4018754016341 |
| 26010046 | 60 IMP 46 | IMPACT socket 1 " 46mm L.76mm | 4018754016358 |
| 26010050 | 60 IMP 50 | IMPACT socket 1 " 50mm L.82mm | 4018754016365 |
| 26010055 | 60 IMP 55 | IMPACT socket 1 " 55mm L.87mm | 4018754016372 |
| 26010060 | 60 IMP 60 | IMPACT socket 1 " 60mm L.91mm | 4018754016396 |
| 26010065 | 60 IMP 65 | IMPACT socket 1 " 65mm L.80mm | 4018754233991 |
| 26010070 | 60 IMP 70 | IMPACT socket 1 " 70mm L.85mm | 4018754234004 |
| 26010075 | 60 IMP 75 | IMPACT socket 1 " 75mm L.95mm | 4018754234011 |
| 26010080 | 60 IMP 80 | IMPACT socket 1 " 80mm L.100mm | 4018754234028 |

GTIN-Code.

