



## Ring shell tool

732/10

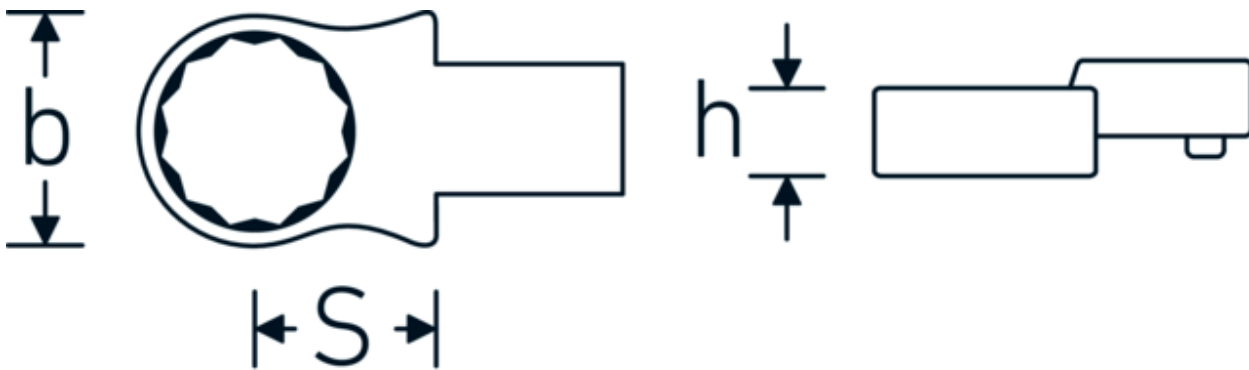
Product no. 58221016  
GTIN 4018754034130  
Model 732/10 16



### Label.

Ring insertion tool Wrench size 16mm Tool holders 9 x 12

### Technical Drawing.



### Technical Attributes.

|  |           |
|--|-----------|
| Width mm (b)                             | 26 mm     |
| Size square socket [inside square drive] | 9 x 12 mm |
| Height mm (h)                            | 12 mm     |
| S  | 17,5 mm   |
| Width across flats [mm]                  | 16 mm     |

### Logistics data.

|                                   |                         |
|-----------------------------------|-------------------------|
| Depth mm (IFS)                    | 48                      |
| Width mm (IFS)                    | 27                      |
| Height mm (IFS)                   | 15                      |
| Length (packed, mm)               | 54                      |
| Width (packed, mm)                | 30                      |
| Height (packed, mm)               | 16                      |
| Volume (packed, dm <sup>3</sup> ) | 0.02592 dm <sup>3</sup> |
| Product no.                       | 58221016                |
| Weight (gross, kg)                | 0,057                   |

|                           |                     |
|---------------------------|---------------------|
| <b>Weight PAP (kg)</b>    | 0,000               |
| <b>Weight PVC (kg)</b>    | 0,002               |
| <b>GTIN</b>               | 4018754034130       |
| <b>Country of origin</b>  | GERMANY             |
| <b>Region of origin</b>   | Nordrhein-Westfalen |
| <b>WEEE/ElektroG</b>      | nicht ear-pflichtig |
| <b>Customs tariff no.</b> | 82041100            |
| <b>Packing standard</b>   | 1                   |
| <b>Weight</b>             | 54 g                |

## Variants.

| Product no. | Model no. (ERP) | Description  | GTIN          |
|-------------|-----------------|--|---------------|
| 58221007    | 732/10 7        | Ring insertion tool Wrench size 7mm<br>Tool holders9 x 12  | 4018754034055 |
| 58221008    | 732/10 8        | Ring insertion tool Wrench size 8mm<br>Tool holders9 x 12  | 4018754034062 |
| 58221010    | 732/10 10       | Ring insertion tool Wrench size 10mm<br>Tool holders9 x 12 | 4018754034079 |
| 58221011    | 732/10 11       | Ring insertion tool Wrench size 11mm<br>Tool holders9 x 12 | 4018754034086 |
| 58221012    | 732/10 12       | Ring insertion tool Wrench size 12mm<br>Tool holders9 x 12 | 4018754034093 |
| 58221013    | 732/10 13       | Ring insertion tool Wrench size 13mm<br>Tool holders9 x 12 | 4018754034109 |
| 58221014    | 732/10 14       | Ring insertion tool Wrench size 14mm<br>Tool holders9 x 12 | 4018754034116 |
| 58221015    | 732/10 15       | Ring insertion tool Wrench size 15mm<br>Tool holders9 x 12 | 4018754034123 |
| 58221016    | 732/10 16       | Ring insertion tool Wrench size 16mm<br>Tool holders9 x 12 | 4018754034130 |
| 58221017    | 732/10 17       | Ring insertion tool Wrench size 17mm<br>Tool holders9 x 12 | 4018754034147 |
| 58221018    | 732/10 18       | Ring insertion tool Wrench size 18mm<br>Tool holders9 x 12 | 4018754034154 |
| 58221019    | 732/10 19       | Ring insertion tool Wrench size 19mm<br>Tool holders9 x 12 | 4018754034161 |
| 58221021    | 732/10 21       | Ring insertion tool Wrench size 21mm<br>Tool holders9 x 12 | 4018754034178 |
| 58221022    | 732/10 22       | Ring insertion tool Wrench size 22mm<br>Tool holders9 x 12 | 4018754034185 |

## GTIN-Code.

