

## IMPACT sockets 1"

### 66IMP



Product no. **26020032**  
GTIN **4018754016433**  
Model **66 IMP 32**



**Label.** IMPACT socket 1 " 32mm L.110mm

## Product highlights.



### Powerful and resilient.

The sockets are made from high-quality Chrome Alloy Steel. They are hardened in oil to prevent stress and distortion.



### Optimized functionality.

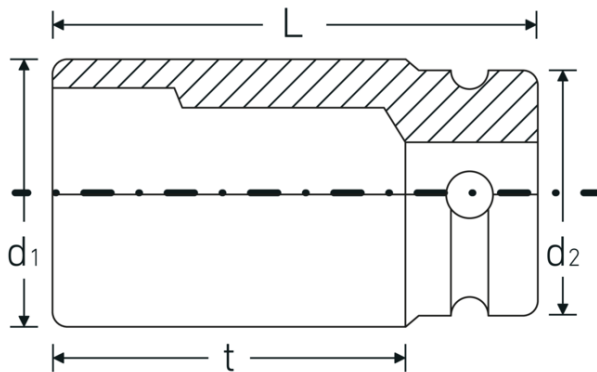
All IMPACT sockets have a through cross hole for the connecting pin and a deep groove for the rubber locking ring. The locking pin is not stressed during use.



### High fitting accuracy.

The high fitting accuracy due to tight tolerances guarantees optimum, backlash-free transmission of forces to the socket.

## Technical Drawing.



## Technical Attributes.

Drive profile	hex
Internal square drive (inch)	1 "
d1	51,5 mm
d2	54 mm
Length mm (L)	110 mm
Width across flats [mm]	32 mm
t	79 mm

## Logistics data.

Depth mm (IFS)	110
Width mm (IFS)	55
Height mm (IFS)	55
Length (packed, mm)	111
Width (packed, mm)	111
Height (packed, mm)	56
Volume (packed, dm3)	0.689976 dm3
Product no.	26020032
Weight (gross, kg)	2,592
Weight PAP (kg)	0,000
Weight PVC (kg)	0,009
GTIN	4018754016433
Country of origin	GERMANY
Region of origin	Nordrhein-Westfalen
WEEE/ElektroG	nicht ear-pflichtig
Customs tariff no.	82042000
Packing standard	2
Weight	1296 g

## Variants.

Product no.	Model no. (ERP)	Description	GTIN
26020024	66 IMP 24	IMPACT socket 1 " 24mm L.110mm	4018754016402
26020027	66 IMP 27	IMPACT socket 1 " 27mm L.110mm	4018754016419
26020030	66 IMP 30	IMPACT socket 1 " 30mm L.110mm	4018754016426

26020032	66 IMP 32	IMPACT socket 1 " 32mm L.110mm	4018754016433
26020033	66 IMP 33	IMPACT socket 1 " 33mm L.110mm	4018754016440
26020036	66 IMP 36	IMPACT socket 1 " 36mm L.110mm	4018754016457
26020038	66 IMP 38	IMPACT socket 1 " 38mm L.110mm	4018754016464
26020041	66 IMP 41	IMPACT socket 1 " 41mm L.110mm	4018754016471
26020046	66 IMP 46	IMPACT socket 1 " 46mm L.110mm	4018754016488

## GTIN-Code.

