



Battery terminal pullers

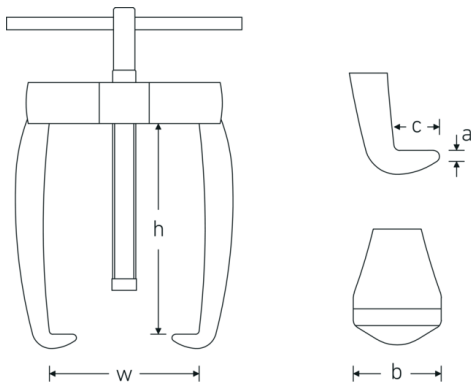
11600

Product no. **71061001**
 GTIN **4018754342334**
 Model **11600/1**
Polklemmenabzieher, 2armig
65x50

Label.

Battery terminal pullers Clamping w.65mm x Clamping d.50mm

Technical Drawing.



Technical Attributes.

Thickness of hook base tip mm (a)	3 mm
Hook base width mm (b)	12 mm
Hook base depth mm (c)	10 mm
Size	1
Number of hooks	2
max. load	1 t
Clamping depth mm	50 mm
Spindle thread size	M10 x 115

Logistics data.

Depth mm (IFS)	65
Width mm (IFS)	50
Height mm (IFS)	20
Length (packed, mm)	65
Width (packed, mm)	50
Height (packed, mm)	20
Volume (packed, dm ³)	0.065 dm ³
Product no.	71061001
Weight (gross, kg)	0,258

Clamping width	65 mm	Weight PAP (kg)	0,008
		Weight PVC (kg)	0,000
		GTIN	4018754342334
		Country of origin	GERMANY
		Region of origin	Nordrhein-Westfalen
		WEEE/ElektroG	nicht ear-pflichtig
		Customs tariff no.	82055980
		Packing standard	1
		Weight	240 g

Variants.

Product no.	Model no. (ERP)	Description	GTIN
71061001	11600/1 Polklemmenabzieher, 2armig 65x50	Battery terminal pullers Clamping w.65mm x Clamping d.50mm	4018754342334
71061002	11600/2 Polklemmenabzieher, 2armig 70x70	Battery terminal pullers Clamping w.70mm x Clamping d.70mm	4018754342341
71061003	11600/3 Polklemmenabzieher, 2armig 80x80	Battery terminal pullers Clamping w.80mm x Clamping d.80mm	4018754342358

GTIN-Code.



Images.



