

Flex sockets 1/2", metric

53



Product no. **03040019**
GTIN **4018754006229**
Model **53 19**



Label. 1/2 " Flex socket Wrench size 19mm L.70mm

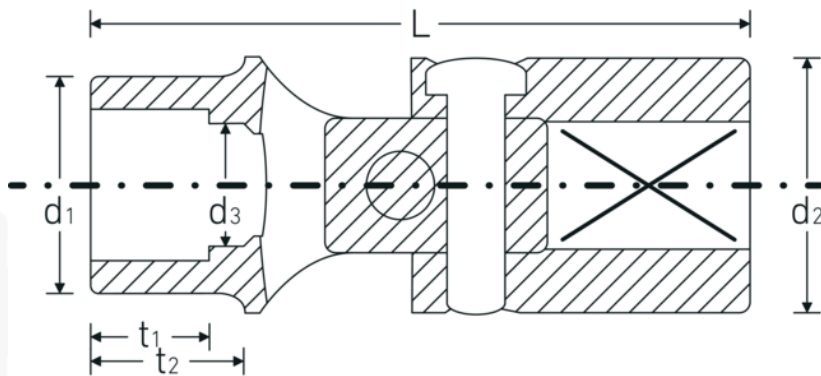
Technologies and features.



High Performance Quality (HPQ®)

Our HPQ® tool is made of wear-resistant high-performance steel, yet is thin-walled and lightweight. It withstands high torques and is ideal for work in confined spaces such as turbines.

Technical Drawing.



Technical Attributes.

| | |
|------------------------------|---------------|
| Drive profile | hex AS-Drive® |
| Internal square drive (inch) | 1/2 " |
| d1 | 26,3 mm |
| d2 | 25 mm |
| d3 | 18 mm |
| Length mm (L) | 70 mm |
| Width across flats [mm] | 19 mm |
| t2 | 17,5 mm |

Logistics data.

| | |
|----------------------|---------------------|
| Depth mm (IFS) | 71 |
| Width mm (IFS) | 26 |
| Height mm (IFS) | 26 |
| Length (packed, mm) | 75 |
| Width (packed, mm) | 27 |
| Height (packed, mm) | 27 |
| Volume (packed, dm3) | 0.054675 dm3 |
| Product no. | 03040019 |
| Weight (gross, kg) | 0,151 |
| Weight PAP (kg) | 0,000 |
| Weight PVC (kg) | 0,002 |
| GTIN | 4018754006229 |
| Country of origin | GERMANY |
| Region of origin | Nordrhein-Westfalen |
| WEEE/ElektroG | nicht ear-pflichtig |
| Customs tariff no. | 82042000 |
| Packing standard | 1 |
| Weight | 148 g |

Variants.

| Product no. | Model no. (ERP) | Description | GTIN |
|-------------|-----------------|---|---------------|
| 03040010 | 53 10 | 1/2 " Flex socket Wrench size 10mm L.70mm | 4018754006151 |
| 03040013 | 53 13 | 1/2 " Flex socket Wrench size 13mm L.70mm | 4018754006175 |
| 03040016 | 53 16 | 1/2 " Flex socket Wrench size 16mm L.69mm | 4018754006199 |
| 03040017 | 53 17 | 1/2 " Flex socket Wrench size 17mm L.70mm | 4018754006205 |
| 03040018 | 53 18 | 1/2 " Flex socket Wrench size 18mm L.70mm | 4018754006212 |
| 03040019 | 53 19 | 1/2 " Flex socket Wrench size 19mm L.70mm | 4018754006229 |

GTIN-Code.



