



Tool trolley 93

93/6

Product no. 81200154
GTIN 4018754327508
Model 93/6 A

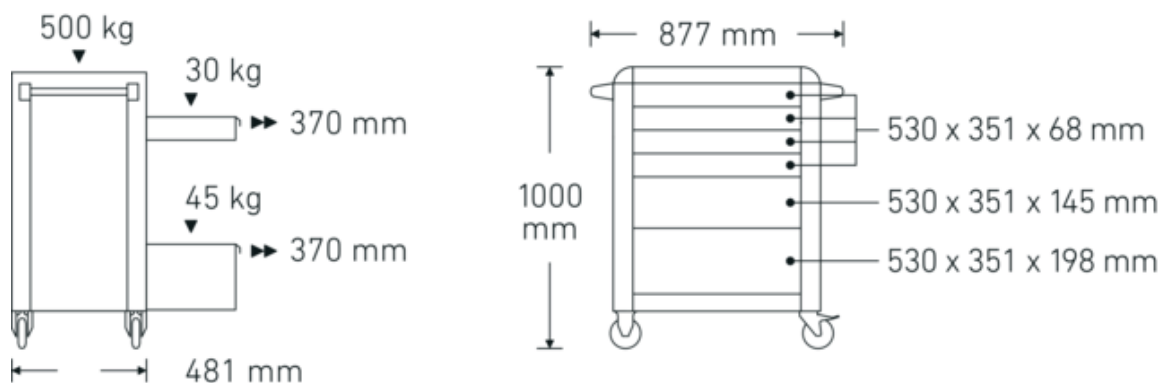
Label.

Tool trolley 93/6 6 Drawers 481 x 877 x 1000 mm anthracite, RAL 7016; black, RAL 9007

Product highlights.



Technical Drawing.



Technical Attributes.

Number of drawers	6
Width mm (b)	877 mm
Colour	anthracite, RAL 7016; black, RAL 9007
Colour abbreviation	RAL 7016; RAL 9005
Height mm (h)	1000 mm
Length mm (L)	481 mm
No.	93/6 A
Internal drawer dimensions mm	351 x 530 x 68 mm (4x) 351 x 530 x 145 mm (1x) 351 x 530 x 198 mm (1x)
Drawer load capacity	30 kg 30 kg 45 kg
Load capacity	500 kg

Logistics data.

Depth mm (IFS)	750
Width mm (IFS)	480
Height mm (IFS)	840
Length (packed, mm)	825
Width (packed, mm)	562
Height (packed, mm)	910
Volume (packed, dm ³)	421.9215 dm ³
Product no.	81200154
Weight (gross, kg)	64,000
Weight PAP (kg)	3,000
Weight PVC (kg)	0,000
GTIN	4018754327508
Country of origin	CHINA
Region of origin	Ausländischer Ursprung
WEEE/ElektroG	nicht ear-pflichtig
Customs tariff no.	94032080
Packing standard	1
Weight	57000 g

Variants.

Product no.	Art. no. (ERP)	Description	GTIN
81200154	93/6 A	Tool trolley 93/6 6 Drawers 481 x 877 x 1000 mm anthracite, RAL 7016; black, RAL 9007	4018754327508

81200155	93/6 R	Tool trolley 93/6 6 Drawers 481 x 877 x 1000 mm red, RAL 3020; black RAL 9005	4018754333080
81200156	93/6 B	Tool trolley 93/6 6 Drawers 481 x 877 x 1000 mm blue, RAL 2703035	4018754333097

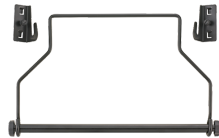
GTIN-Code.



Accessories.



90432727
Spray can holders



81483004
Paper roll holder



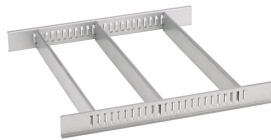
89010040
Cable holder



83812070
Empty tray for small components



81484001
Drawer dividers



81484002
Drawer dividers



89010003
Anti-slip mat GRIPMAT



81200157
Tool box



89010042
Laptop holder adapter



90432802
Protective cover

Spare parts/spare part for.



90432658
Handle



90432644
Handle



81490001
Set of wheels

Images.

