



## Tool trolley 95 PRO

### 98/7 PRO

Product no. 81200170  
GTIN 4018754334506  
Model 98/7 B PRO

#### Label.

Tool trolley 98/7 PRO 7 Drawers 651 x 1001 x 1020 mm blue, RAL 2703035

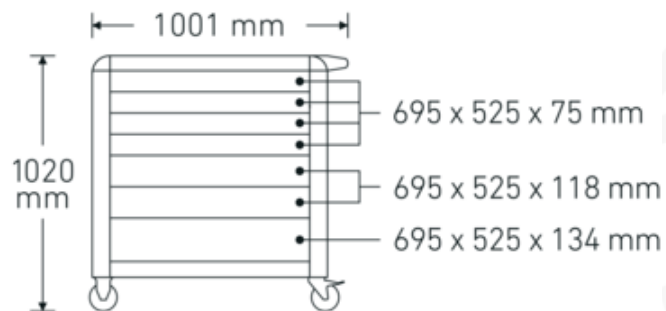
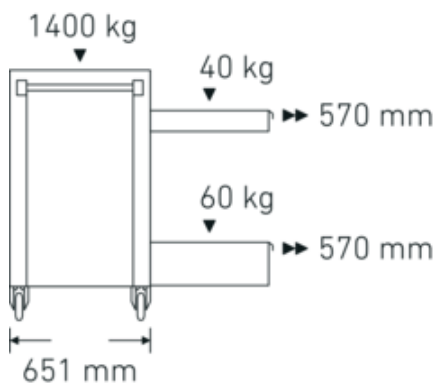


#### Product highlights.





## Technical Drawing.



## Technical Attributes.

Number of drawers	7
Width mm (b)	1001 mm
Colour	blue, RAL 2703035
Colour abbreviation	RAL 270 30 35; RAL 9005
Height mm (h)	1020 mm

## Logistics data.

Depth mm (IFS)	890
Width mm (IFS)	650
Height mm (IFS)	865
Length (packed, mm)	987
Width (packed, mm)	745
Height (packed, mm)	925

<b>Length mm (L)</b>	651 mm	<b>Volume (packed, dm3)</b>	680.166375 dm3
<b>No.</b>	98/7 B PRO	<b>Product no.</b>	81200170
<b>Internal drawer dimensions mm</b>	695 x 525 x 75 mm (4x) 695 x 525 x 118 mm (2x) 695 x 525 x 134 mm (1x)	<b>Weight (gross, kg)</b>	123,500
		<b>Weight PAP (kg)</b>	9,500
		<b>Weight PVC (kg)</b>	0,000
<b>Drawer load capacity</b>	40 kg 40 kg 60 kg	<b>GTIN</b>	4018754334506
<b>Load capacity</b>	1,400 kg	<b>Country of origin</b>	CHINA
		<b>Region of origin</b>	Ausländischer Ursprung
		<b>WEEE/ElektroG</b>	nicht ear-pflichtig
		<b>Customs tariff no.</b>	94032080
		<b>Packing standard</b>	1
		<b>Weight</b>	114000 g

## Variants.

Product no.	Art. no. (ERP)	Description	GTIN
81200169	98/7 A PRO	Tool trolley 98/7 PRO 7 Drawers 651 x 1001 x 1020 mm anthracite, RAL 7016; black, RAL 9007	4018754334490
81200170	98/7 B PRO	Tool trolley 98/7 PRO 7 Drawers 651 x 1001 x 1020 mm blue, RAL 2703035	4018754334506
81200171	98/7 R PRO	Tool trolley 98/7 PRO 7 Drawers 651 x 1001 x 1020 mm red, RAL 3020; black RAL 9005	4018754334513

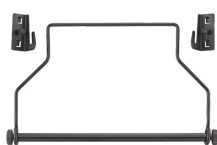
## GTIN-Code.



## Accessories.



90432727  
Spray can holders



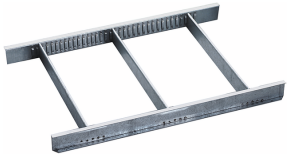
81483004  
Paper roll holder



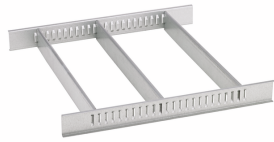
89010040  
Cable holder



83812070  
Empty tray for small components



81484001  
Drawer dividers



81484002  
Drawer dividers



89010003  
Anti-slip mat GRIPMAT

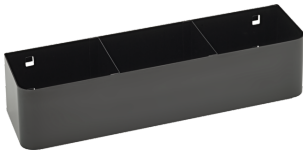


89011053  
Trash bin



89010042  
Laptop holder adapter

## Spare parts/spare part for.



90432719  
Spray can holders

## Images.

