



## Socket

### 51aP

Product no. **03421041**  
GTIN **4018754181414**  
Model **51AP 25/32**



**Label.** 1/2 " Socket Spanner size 25/32" L.80mm

**Features.**

- Long
- Deep drilled
- For the brakes on A320/A321
- HPQ® heavy-duty steel, gun metal finish

## Advantages.

Long

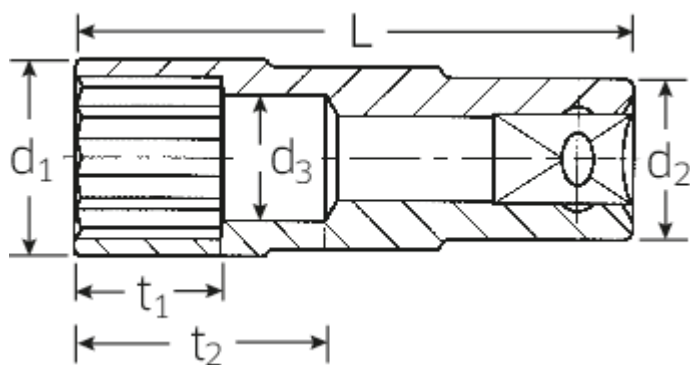
## Technologies and features.



### High Performance Quality (HPQ®)

Our HPQ® tool is made of wear-resistant high-performance steel, yet is thin-walled and lightweight. It withstands high torques and is ideal for work in confined spaces such as turbines.

## Technical Drawing.



## Technical Attributes.

Drive profile	Double hexagon
Internal square drive (inch)	1/2 "
d1	28 mm
d2	23 mm
d3	17,9 mm
Length mm (L)	80 mm
Spanner size [inch]	25/32 "
t1	21 mm
t2	36 mm

## Logistics data.

Depth mm (IFS)	80
Width mm (IFS)	28
Height mm (IFS)	28
Length (packed, mm)	85
Width (packed, mm)	40
Height (packed, mm)	40
Volume (packed, dm <sup>3</sup> )	0.136 dm <sup>3</sup>
Art. no.	03421041
Weight (gross, kg)	0,182
Weight PAP (kg)	0,000
Weight PVC (kg)	0,003
GTIN	4018754181414
Country of origin	GERMANY
Region of origin	Nordrhein-Westfalen
WEEE/ElektroG	nicht ear-pflichtig
Customs tariff no.	82042000
Packing standard	1
Weight	182 g

## Variants.

Art. no.	Model no. (ERP)	Description	GTIN
03421041	51AP 25/32	1/2 " Socket Spanner size 25/32" L.80mm	4018754181414

## GTIN-Code.



**STAHLWILLE Eduard Wille GmbH & Co. KG**

Lindenallee 27 · 42349 Wuppertal · Germany · Phone: +49 202 4791-0 · Fax: +49 202 4791-200  
info@stahlwille.de · www.stahlwille.com · Copyright by STAHLWILLE Eduard Wille GmbH & Co. KG, Wuppertal  
Copyright by STAHLWILLE Eduard Wille GmbH & Co. KG, Wuppertal