



Adjustable open-ended wrench, metric

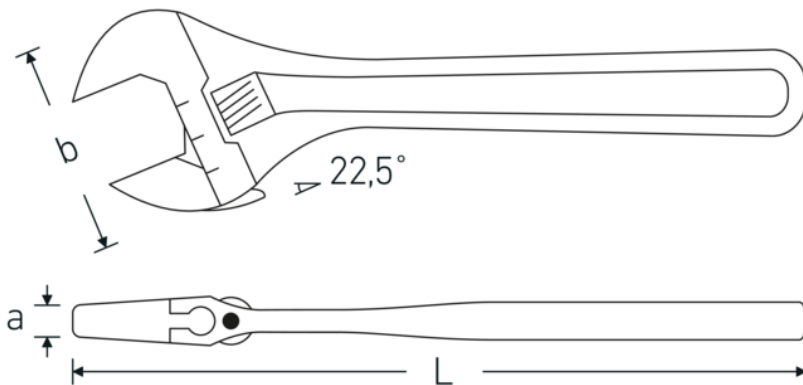
4026N



Product no. **40260104**
GTIN **4018754299560**
Model **4026 4**

Label. Adjustable open-ended wrench max. wrench size 13mm L.115mm

Technical Drawing.



Technical Attributes.

a	9,5 mm
Width mm (b)	35 mm
DIN	DIN 3117 / ISO 6787 Form B
Size	4
Length mm (L)	115 mm
Schlüsselweite max. [mm]	13 mm

Logistics data.

Depth mm (IFS)	115
Width mm (IFS)	32
Height mm (IFS)	9
Length (packed, mm)	117
Width (packed, mm)	38
Height (packed, mm)	39
Volume (packed, dm3)	0.173394 dm3
Product no.	40260104
Weight (gross, kg)	0,250

Weight PAP (kg)	0,000
Weight PVC (kg)	0,006
GTIN	4018754299560
Country of origin	SPAIN
Region of origin	Ausländischer Ursprung
WEEE/ElektroG	nicht ear-pflichtig
Customs tariff no.	82041200
Packing standard	5
Weight	52 g

Variants.

Product no.	Art. no. (ERP)	Description	GTIN
40260104	4026 4	Adjustable open-ended wrench max. wrench size 13mm L.115mm	4018754299560
40260106	4026 6	Adjustable open-ended wrench max. wrench size 24mm L.161mm	4018754299577
40260108	4026 8	Adjustable open-ended wrench max. wrench size 30mm L.207mm	4018754299584
40260110	4026 10	Adjustable open-ended wrench max. wrench size 34mm L.259mm	4018754299591
40260112	4026 12	Adjustable open-ended wrench max. wrench size 39mm L.311mm	4018754299607
40260115	4026 15	Adjustable open-ended wrench max. wrench size 44mm L.386mm	4018754299614
40260118	4026 18	Adjustable open-ended wrench max. wrench size 53mm L.462mm	4018754299621

GTIN-Code.

