

## Ball joint puller

12616

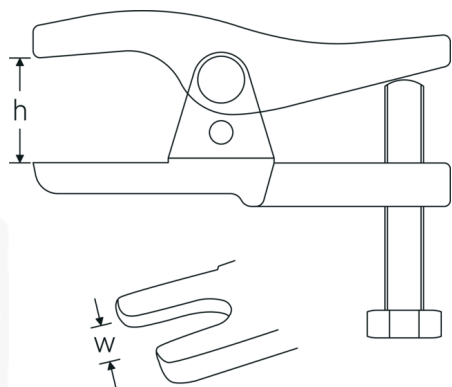
Product no. **71050010**  
GTIN **4018754173273**  
Model **12616 Kugelgelenkabzieher**

**Label.** Ball joint puller Fork opening 18-22mm 70N·m

## Product highlights.



## Technical Drawing.



## Technical Attributes.

<b>A</b>	18-22 mm
<b>DIN</b>	DIN / ISO 7803
<b>Size</b>	1
<b>Clear hight (h) mm</b>	20-50 mm
<b>max. load</b>	3,5 t
<b>max. torque</b>	70 N·m
<b>Spindle thread size</b>	M14 x 1,5 x 63 mm

## Logistics data.

<b>Depth mm (IFS)</b>	100
<b>Width mm (IFS)</b>	70
<b>Height mm (IFS)</b>	30
<b>Length (packed, mm)</b>	110
<b>Width (packed, mm)</b>	70
<b>Height (packed, mm)</b>	50
<b>Volume (packed, dm3)</b>	0.385 dm3
<b>Product no.</b>	71050010
<b>Weight (gross, kg)</b>	0,634
<b>Weight PAP (kg)</b>	0,046
<b>Weight PVC (kg)</b>	0,000
<b>GTIN</b>	4018754173273
<b>Country of origin</b>	GERMANY
<b>Region of origin</b>	Nordrhein-Westfalen
<b>WEEE/ElektroG</b>	nicht ear-pflichtig
<b>Customs tariff no.</b>	82055980
<b>Packing standard</b>	1
<b>Weight</b>	611 g

## Variants.

Product no.	Art. no. (ERP)	Description	GTIN
71050010	12616 Kugelgelenkabzieher	Ball joint puller Fork opening 18-22mm 70N·m	4018754173273

## GTIN-Code.

